

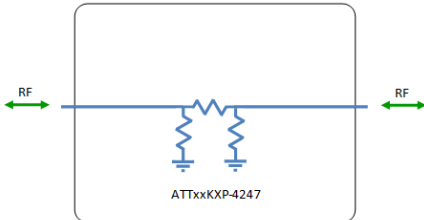


Wideband Attenuator

DC - 18 GHz

Available with:

- 3, 6, 10, 20, 30dB Fixed Attenuation
- Available with 50 Ω N-type male/female RF connectors
- 25 Watts



DC-18 GHz
Operating frequency range. Ka Band



High Power
25W Heatsinked housing



Attenuator

| RF Parameters | | | | |
|-------------------------|--------------------------|------------|-------------|-------------|
| ATTxxKXP-4247-N5N4 | | | | |
| Frequency Range | DC - 18 GHz | | | |
| RF Connectors | 50Ω N-type Male / Female | | | |
| Attenuation (dB) | 3 ± 0.5 dB | 6 ± 0.5 dB | 10 ± 0.5 dB | 20 ± 0.5 dB |
| Accuracy (dB) | ± 1 dB | ± 1 dB | ± 1.25 dB | ± 1.25 dB |
| Input Return Loss (dB) | Typ. | 20 | | |
| | Min | 15 | | |
| Output Return Loss (dB) | Typ. | 20 | | |
| | Min | 15 | | |
| Peak Power | 1KW | | | |

Broadcast



Marine Oil & Gas



SNG & VSAT



Satellite Teleport





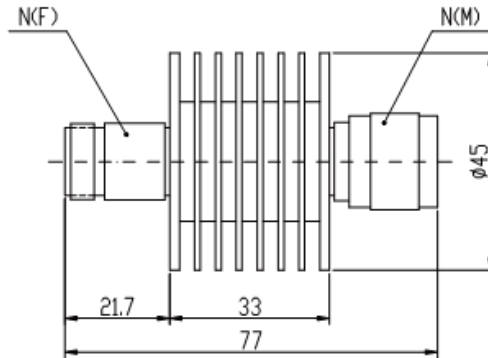
Technical specifications and operating parameters

| Environmental | |
|-----------------------|--------------------|
| Operating Temperature | -55° C to +125° C |
| Storage Temperature | -55° C to +125° C |
| Location | Indoor use Only |
| Humidity | 85% non-condensing |
| Altitude | 10,000 feet |

| Max Operating Parameters | |
|--------------------------|--------------------|
| Input RF Power | +44 dBm (25W) Max |
| DC Voltage | 35V on any RF port |

! Operation beyond these limits may cause instantaneous and permanent damage.

Physical Dimensions (mm)



| Mechanical Specifications | |
|---------------------------|------------------------------|
| Connectors | Brass Nickel Plated |
| Male Pin | Brass Gold Plated |
| Female Pin | Beryllium Copper Gold Plated |
| Housing | Aluminium Black Anodize |

Note 1: The specification is subject to regular reviews and will be updated from time to time as part of our continuing product development and improved spec accuracy.
Note 2: Operation beyond the quoted limits stated above may cause instantaneous and permanent damage.

