



RF Components



Model Number:
436000

Scorpion Series

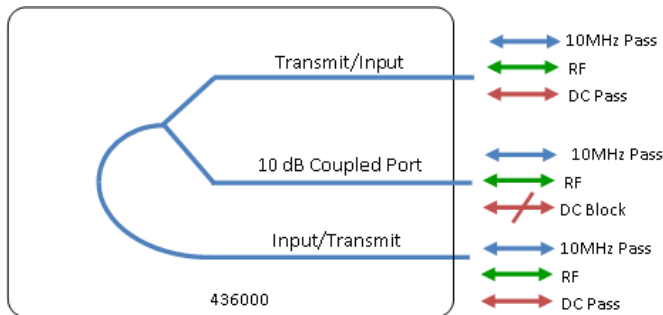
10 dB L-band Coupler

850 - 2150 MHz

- 10MHz & DC pass on through port
- 10 MHz pass and DC blocked on coupled port.
- To be used as standalone unit or fitted to the Scorpion 1U rack mount chassis SCP-1U-11

Available with RF connector options:

- 50 Ω SMA
- 50 Ω N-type
- 50 Ω BNC
- 75 Ω BNC
- 75 Ω F-type.



Compact
Housed in rugged compact enclosure

Chassis Mounting
Tapped screw & through hole for use with Scorpion 1U chassis mount systems

850 - 2150 MHz
Operating frequency range.

RF Parameters						
436000	S5S5S5	N5N5N5	B5B5B5	B7B7B7	F7F7F7	
Frequency Range	850-2150 MHz					
RF Connectors	50Ω SMA	50Ω N-Type	50Ω BNC	75Ω BNC	75Ω F-Type	
Coupling Factor (dB)	10±1.8 dB	10±1.8 dB	10±1.8 dB	10±2.2 dB	10±2.2 dB	
Thru Insertion loss (dB)	Typ	1.2	1.2	1.2	1.7	1.7
	Min	1.7	1.7	1.7	2.2	2.2
Return Loss (dB) Thru line	Typ	20	20	20	14	14
	Min	14	14	14	8	8
Directivity* (dB)	Typ	14	14	14	10	10

*Directivity across frequency band will vary.

Broadcast



Marine Oil & Gas



SNG & VSAT



Satellite Teleport

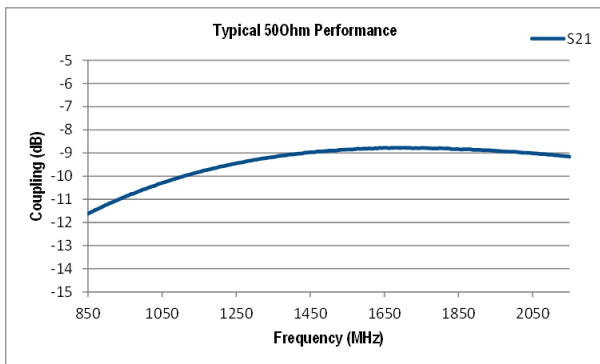


Technical specifications and operating parameters

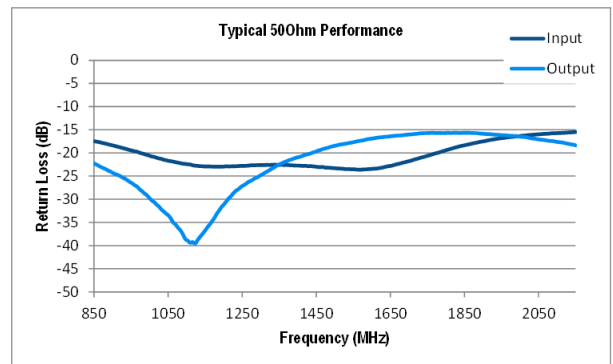
Environmental	
Operating Temperature	0°C to +45°C
Storage Temperature	-20°C to +75°C
Location	Indoor use Only
Humidity	Max 85% non-condensing
Altitude	Max 10,000 feet

Max Operating Parameters	
Input RF Power	+35 dBm (5W)
DC Voltage	50V on any RF port
DC Current	5A Max N-type & SMA 3.5A Max BNC & F-type

! Operation beyond these limits may cause instantaneous and permanent damage.

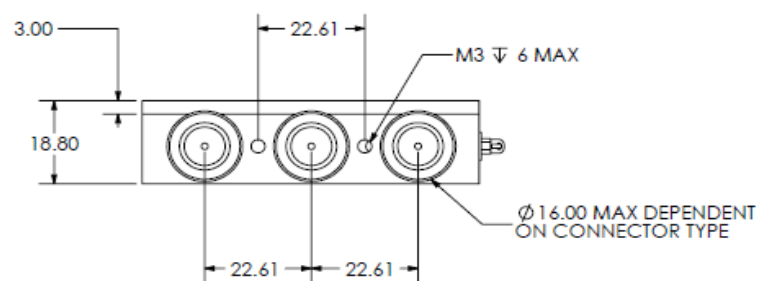
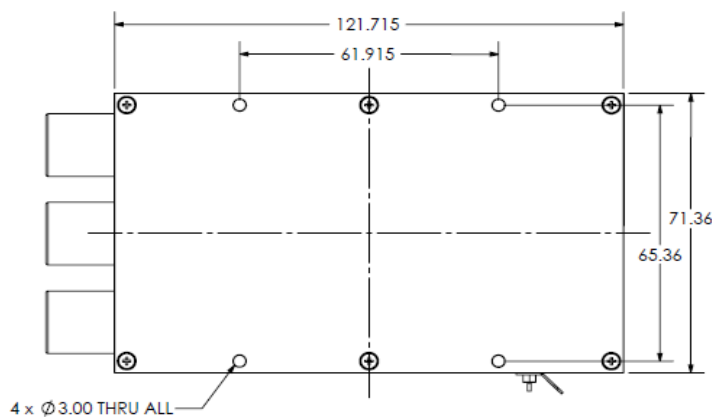


Coupling (dB)



Return Loss (dB)

Physical Dimensions (mm)



Note: The specification is subject to regular reviews and will be updated from time to time as part of our continuing product development and improved specification accuracy.