

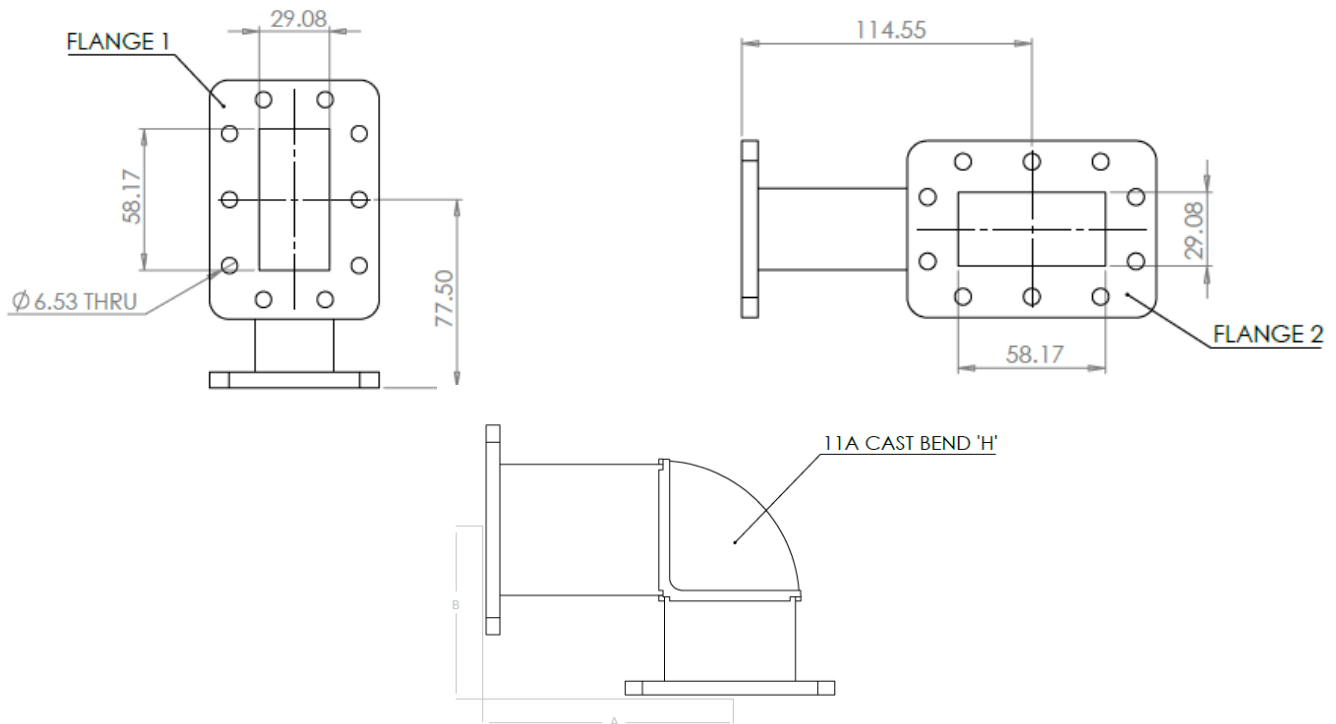


Model Number:
197010

RF Components

S-Band Waveguide H Bend

3.3-4.9 GHz



Specification	
BH-197010	CGCG
Waveguide Size	WG11 / WR229 / R40
Flange 1	CPR 229F
Flange 2	CPR 229F
Flange Material/Finish	Brass Flanges Copper WG Black Paint
Frequency Range	3.30—4.90 GHz
Dimension A	77.5 mm
Dimension B	114.55 mm
Bend Angle	90 degrees
VSWR / Return Loss	1.10 / 26.4 dB

Broadcast



Marine Oil & Gas



SNG & VSAT



Satellite Teleport

