

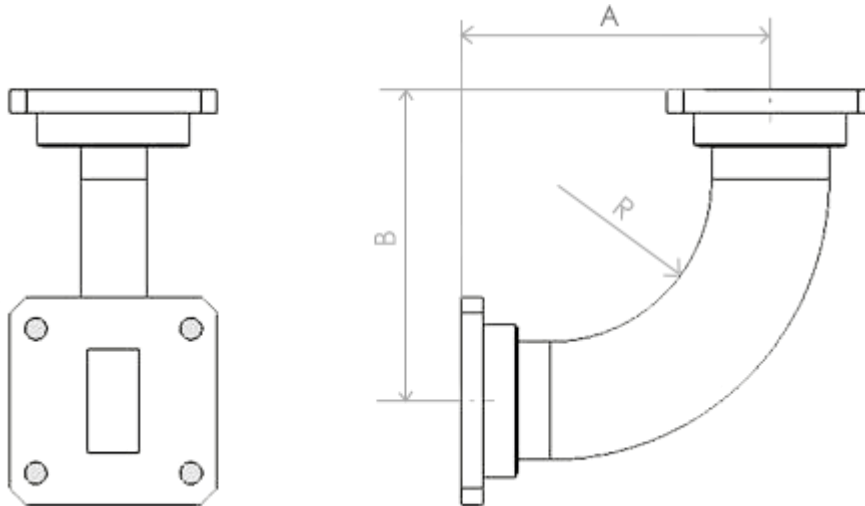


Model Number:
197003

RF Components

C-Band Waveguide E Bend

5.85-8.20 GHz



Specification	
BE-197003	CGCG
Waveguide Size	WG14 / WR137 / R70
Flange 1	CPRG 70
Flange 2	CPRG 70
Flange Material/Finish	Brass Flanges Copper WG Black Paint
Frequency Range	5.85-8.20 GHz
VSWR / Return Loss	1.05 / 32.2 dB
Dimension A	415.2 mm
Dimension B	415.2 mm
Bend Angle	90 degrees
Radius	60 mm

Broadcast



Marine Oil & Gas



SNG & VSAT



Satellite Teleport

