

Universal 1:1 and 1:2 Redundant and Combined Systems

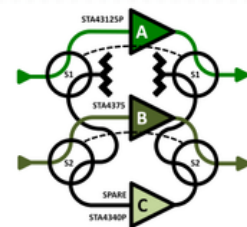
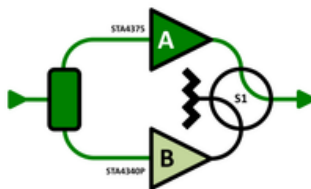
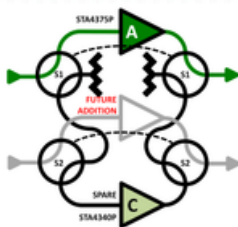


ETL Systems provides compact, light-weight power amplifier system solutions, including redundancy, power combining, polarity switching, load switching filtering and combinations of these.

The universal system design enables easy installation in confined spaces. Each amplifier simply slides into place, using the unique mechanical sliders and is locked and connected up with the quick release waveguide connector. All models of the STA4000 series amplifiers, within a single operating band, can be accommodated in the same system*. This allows lower cost of ownership and lower cost upgrades with maximum flexibility.

For example; a 1:2 Ku-band system can have the following:

- Amplifiers with different power levels:
400W Ku, 750W Ku, 1250W, CW or PEAK
- Amplifiers with different frequencies:
Ku 12.75-13.25 GHz & 13.75-14.5 GHz
DBS 17.3-17.8 GHz & 17.3-18.4 GHz
Ka 27.5-30.0 GHz & 30-31 GHz

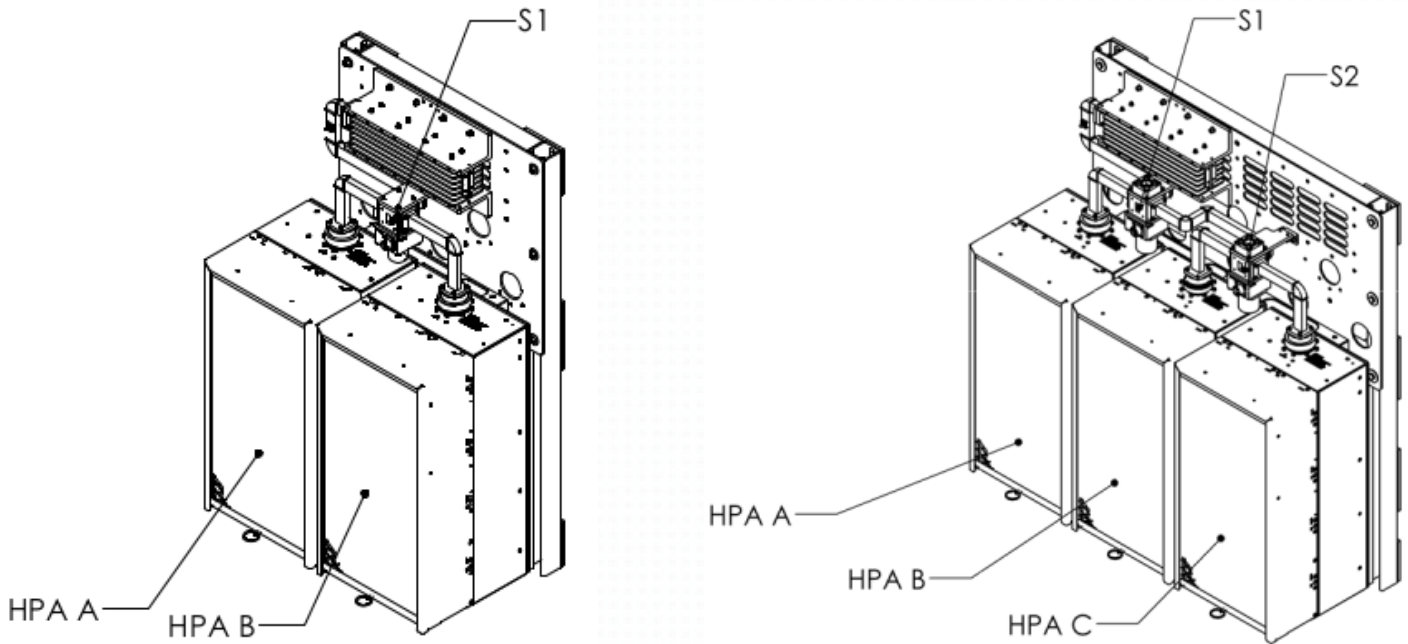


Features

- Integrated Controller – Up to 3 Switches
- Redundancy Webpage
- LAN Integration Ready
- ETHERNET / RS-232 / RS-485
- Ganged Coax/Waveguide Switches
- Phase Combined
- Phase Combined
- Waveguide Quick Connect

The STA4000 series amplifiers come with internally integrated redundancy controllers. These controllers allow access to system configuration and status and control of amplifiers. Owners of single thread amplifiers can use these to upgrade to redundant systems when desired.

ETL Systems offers flexibility in the configuration of 1:2 redundant systems, allowing the operator to configure any 1:2 System to operate as a 1:1 System. Simply remove the centre amplifier, terminate the connections on the interconnecting switch and enable the system software for operating a 1:2 system as a 1:1 system.



Installation of ETL redundant systems and power amplifiers is easy. The light-weight, modular design enables installation by a single person, even in some of the most difficult to access applications. Simply remove the amplifier from its shipping container, install a single mounting bracket and slide into the system. Secure the waveguide quick connect then lock the bracket and plug in the cables. The amplifier is ready for a quick software configuration for the system and ready for use.

The flexibility of the modular design enables easy upgrades from a standard redundant system to 1:2 redundant system. Upgrade kits are available which provide the additional output components and hardware. Phase combined and redundancy can be offered in any configurations.

Custom designed systems can also be accommodated.

