

IP67 10dB L-Band Directional Coupler

850 - 2150 MHz

850-2150 MHz
Operating frequency
range



Compact
Housed in rugged
compact enclosure

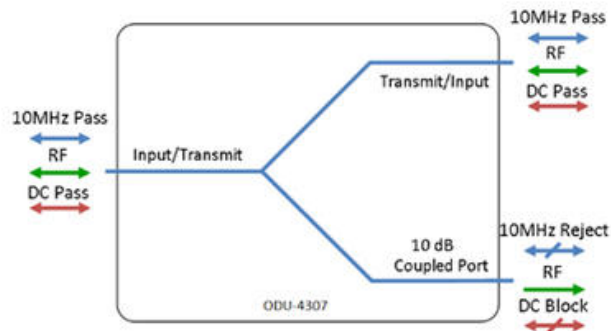
Flexible mounting
Through-hole mounting
options

RF Parameters		
Model Variation	S5S5S5	N5N5N5
Frequency Range	850 - 2150 MHz	
RF Connectors	50Ω SMA	50Ω N-Type
Through Path		
Mean Coupling Factor	10 ± 1.0 dB	
Mean Insertion Loss*	1.0 ± 0.2 dB	
Through Path Flatness	± 0.5 dB typ.	
Coupled Port Flatness	± 1.5 dB typ.	
Return Loss Thru Line	Typ.	20 dB
	Min.	15 dB
Return Loss Coupled Port	Typ.	20dB
	Min.	12 dB
Directivity**	14 dB typ.	

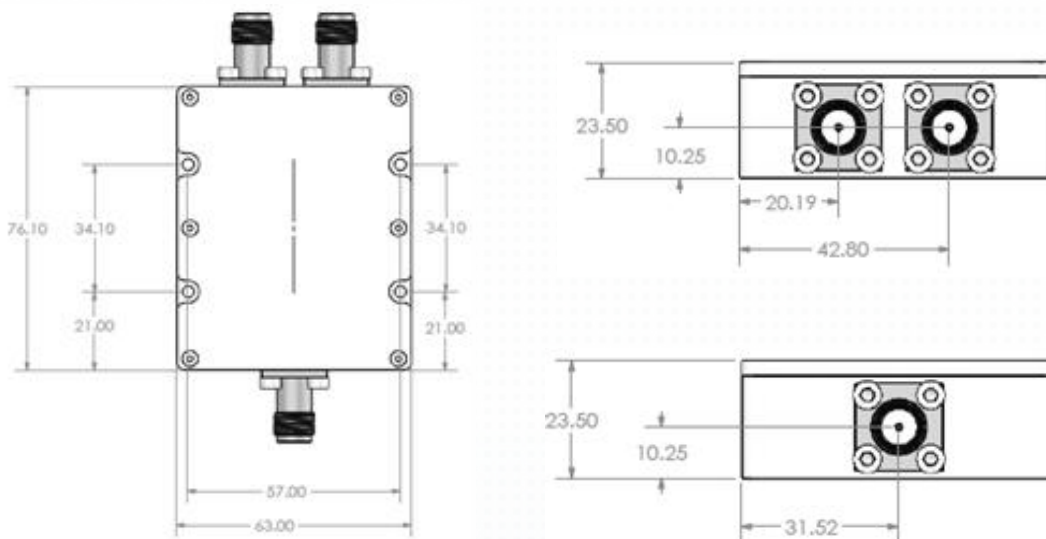
Operating Parameters	
Input RF Power	37 dBm 5W
DC Voltage	500 mA max.
Environmental	
Operating Temperature	-40°C to +85°C
Storage Temperature	-50°C to +100°C
Location	Indoor/Outdoor IP67* use
Humidity	95% non-condensing
Altitude	10,000 feet AMSL

* Excluding coupling loss
 **Directivity across frequency band will vary.
 10MHz Rejection is 50dB on coupled port

Diagram



Physical Dimensions (mm)



Note 1: The specification is subject to regular reviews and will be updated from time to time as part of our continuing product development and improved spec accuracy.
 Note 2: Operation beyond the quoted limits stated above may cause instantaneous and permanent damage.
 Note 3: *IP67 integrity is maintained by populating all ports with sufficiently rated connectors and that unused ports have IP67 terminators or dust caps when awaiting connection. Dust caps are not sold with this product.