

# IP67 20dB L-Band Directional Coupler

850 - 2150 MHz

850-2150 MHz  
Operating frequency  
range



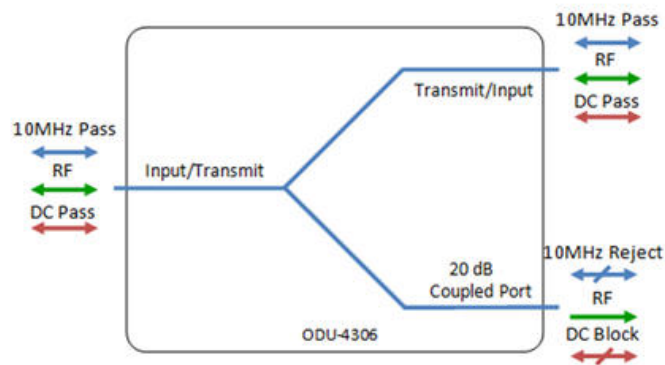
Compact  
Housed in rugged  
compact enclosure

Flexible mounting  
Tapped screw and through-  
hole mounting options

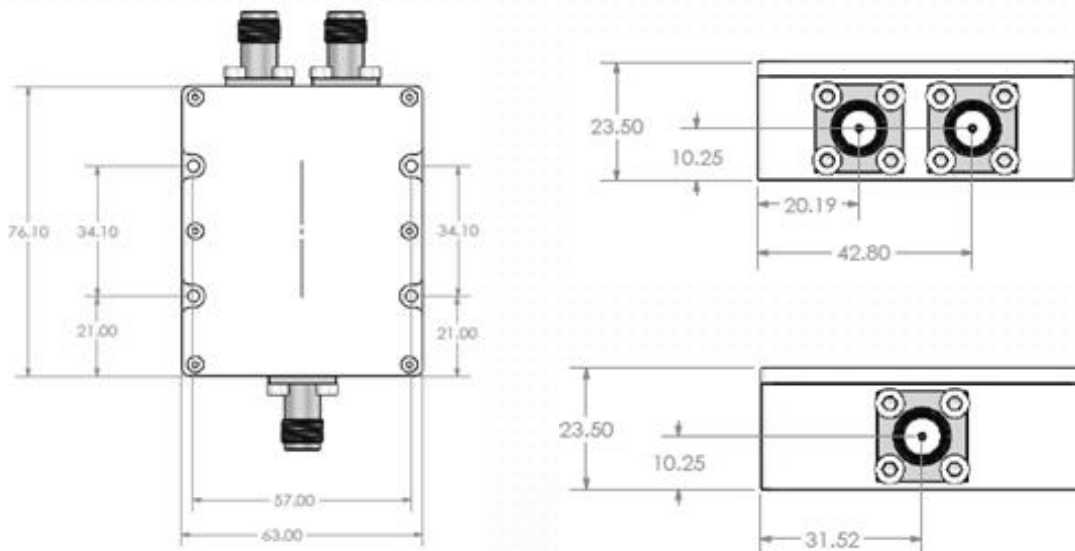
RF Parameters		
Model Variation	S5S5S5	
Frequency Range	850 - 2150 MHz	
RF Connectors	50Ω SMA	50Ω N-Type
Through Path		
Mean Insertion Loss	1.1 dB	
Flatness	± 0.4 dB	
Input Return Loss	Typ.	20 dB
	Min.	15 dB
Output Return Loss	Typ.	20dB
	Min.	15 dB
Coupled Port		
Mean Coupling Factor	20 ± 1.0 dB	20 ± 1.5 dB
Flatness	± 1.5 dB	
Return Loss	Typ.	20 dB
	Min.	12 dB
Directivity	Typ.	14 dB

Operating Parameters	
Input RF Power	37 dBm 5W
DC Voltage	500 mA max.
Environmental	
Operating Temperature	-40°C to +85°C
Storage Temperature	-50°C to +100°C
Location	Indoor/Outdoor IP67* use
Humidity	95% non-condensing
Altitude	10,000 feet AMSL

## Diagram



## Physical Dimensions (mm)



Note 1: The specification is subject to regular reviews and will be updated from time to time as part of our continuing product development and improved spec accuracy.

Note 2: Operation beyond the quoted limits stated above may cause instantaneous and permanent damage.

Note 3: \*IP67 integrity is maintained by populating all ports with sufficiently rated connectors and that unused ports have IP67 terminators or dust caps when awaiting connection. Dust caps are not sold with this product.