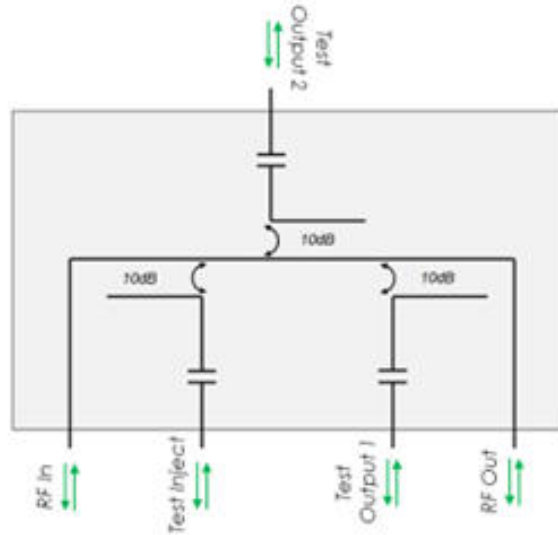


# 10 dB Multi -Coupler Module

900-1500MHz



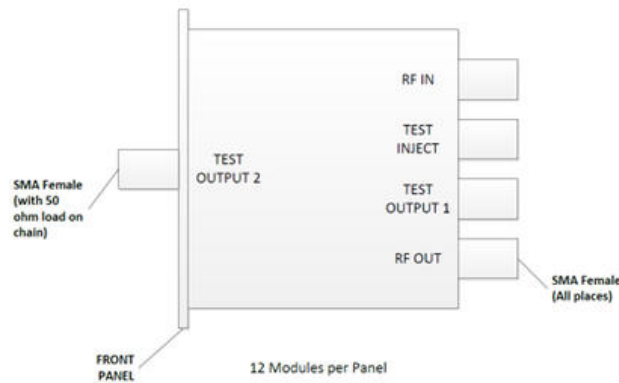
RF Parameters

Frequency Range	900-1500 MHz	
RF Connectors	50Ω SMA	
Insertion Loss	2.0 dB min	
Flatness	±0.28dB	
Coupled Port Insertion Loss*	Typ.	11.2dB
	Max.	12dB
Input Return Loss	Typ.	24dB
	Min.	20dB
Output Return Loss	Typ.	24dB
	Min.	20dB
Coupled Port Return Loss	Typ.	20dB
	Min.	16dB
Directivity	Typ.	15dB
	Min.	10dB

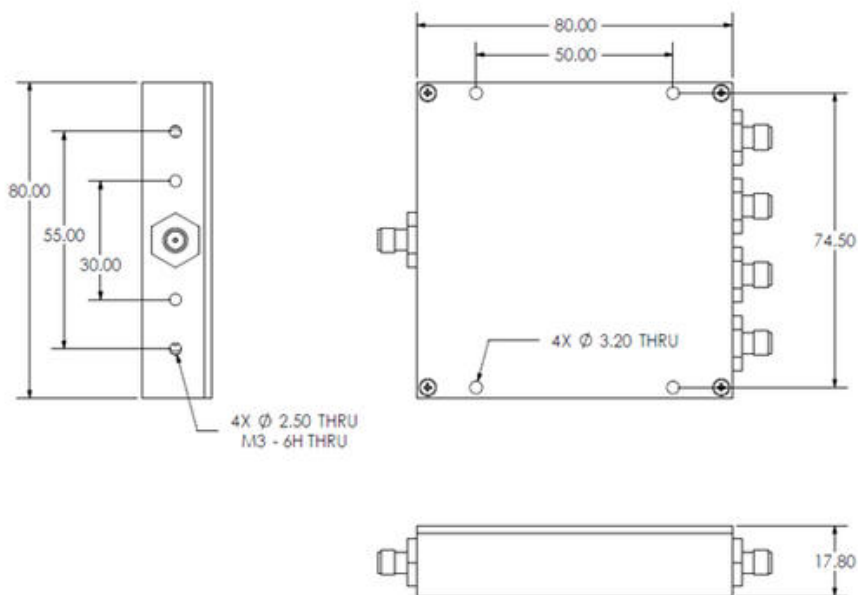
\* Coupled port Insertion loss is relative to the input port, typical Coupling of the unit is 10dB.

Operating Parameters	
Input RF Power	+37 dBm (5W)
DC Voltage	35V on any RF port
Environmental	
Operating Temperature	0°C to +45°C
Storage Temperature	-20°C to +75°C
Location	Indoor use only
Humidity	85% non-condensing
Altitude	3,000m (~10,000ft) Above Mean Sea Level

## Port Layout



## Physical Dimensions (mm)



Note 1: The specification is subject to regular reviews and will be updated from time to time as part of our continuing product development and improved spec accuracy.  
 Note 2: Operation beyond the quoted limits stated above may cause instantaneous and permanent damage.