



RF Components

Model Number:  
**VAT11F6P-435008**

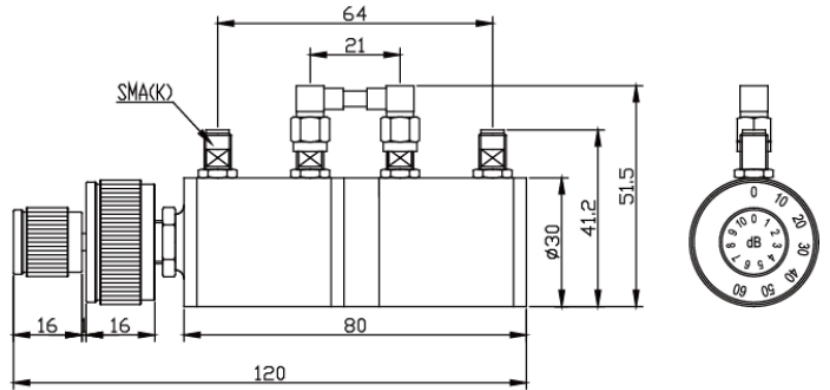
# Variable Rotary Attenuator

DC - 1 GHz

- Attenuation Range 0 - 11dB
- Settable in 0.1dB steps

With RF connectors:

- 50  $\Omega$  SMA Type



# Attenuator

RF Parameters	
VAT11F6P-435008-S5S5	
Frequency Range	DC - 1 GHz
RF Connectors	50 $\Omega$ type SMA
Attenuation (dB)	0-11 dB in 0.1dB steps
Attenuation Accuracy (dB)	$\pm 0.2$ dB( $\leq 1$ dB) $\pm 0.4$ dB( $> 1$ dB)
Mean Insertion Loss (dB)	$\leq 1.0$
VSWR	Max 1.30
Power Rating	2W
Temperature Range	-20°C to +85°C

## Broadcast



## Marine Oil & Gas



## SNG & VSAT



## Satellite Teleport

