



Model Number:
F-BPXX-7050

RF Components

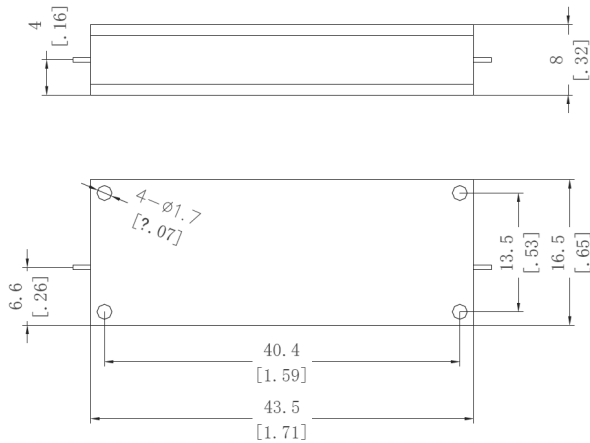
X-band Cavity Bandpass Filter

6500-8000 MHz Pass Band

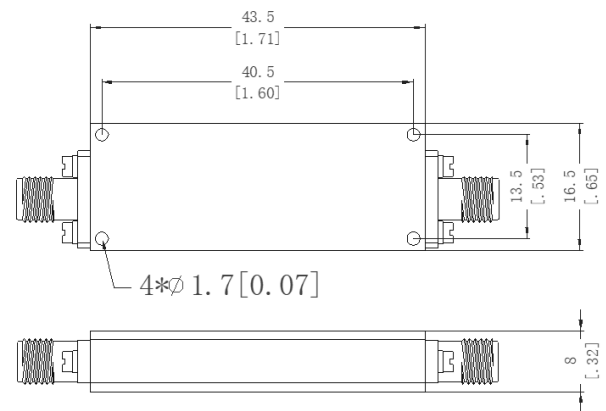
Available with RF connectors:

- 0.5 mm RF Pin
- SMA 50Ω Female

Physical Dimensions (±0.3 mm)



0.5 mm RF Pin



SMA 50Ω Female

Specification

Specification	
RF Connectors	0.5mm RF Pin / SMA 50Ω Female
Centre Frequency (MHz)	7250 MHz
Passband	6500 - 8000 MHz
Insertion Loss (dB)	≤1.0 max.
VSWR (dB)	≤1.7:1 max.
Rejection	≥55dB@6000MHz; ≥55dB@8700MHz

Environmental

Environmental	
Power Handling	+30dBm cw max, 33dBm (Instantaneous Peak)
Operating Temperature	-40°C to +70°C
Storage Temperature	-55 °C to +85°C
Location	Indoor use Only
Humidity	95%RH at 40°C
Shock	20G for 11msec half sine wave, 3 axis both directions

Broadcast



Marine Oil & Gas



SNG & VSAT



Satellite Teleport

