

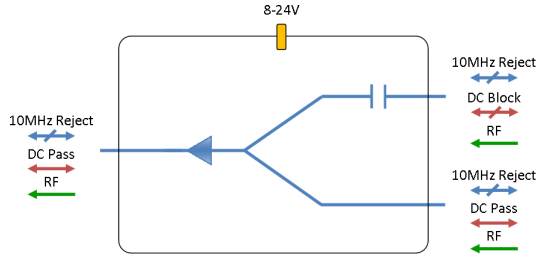


RF Components

2-Way L-Band Active Combiner

850 - 2150 MHz

Model Number:
COM02L1A-2267



- With unity gain & flat frequency response
- DC & 10MHz pass between common port & port 1.
- All other ports DC & 10MHz blocked
- Requires 8-24V external DC bias

Available with RF connector options:

- 50 Ω SMA
- 50 Ω N-type
- 50 Ω BNC
- 75 Ω BNC
- 75 Ω F-type.

8-24V
External DC
powering



Compact
Housed in
rugged compact
enclosure

**Flexible
Mounting**
Tapped screw &
through hole
mounting options

850-2150 MHz
Operating frequency
range. L-Band ready

RF Parameters						
COM02L1A-2267	S5S5	N5N5	B5B5	B7B7	F7F7	
Frequency Range	850 - 2150 MHz					
RF Connectors	50Ω SMA	50Ω N-Type	50Ω BNC	75Ω BNC	75Ω F-Type	
Mean Gain (dB)	0 ± 2	0 ± 2	0 ± 2	0 ± 2	0 ± 2	
Flatness ± (dB)	±0.4	±0.4	±0.6	±1	±1	
Input Return Loss (dB)	Typ.	16	16	14	12	10
	Min	12	12	10	10	7
Output Return Loss (dB)	Typ.	16	16	14	12	10
	Min	12	12	10	10	7
Output P1dB GCP** (dBm)	Typ.	10	10	10	10	10
	Min	7	7	7	7	7
Isolation (dB)	Typ.	18	18	18	18	18
Output IP3 (dBm)	Typ.	21	21	21	21	21
Noise Figure (dB)	Typ.	13	13	13	13	13
Amplitude Balance (dB)		≤0.2	≤0.2	≤0.2	≤0.5	≤0.5

10MHz Rejection is 20dB*
*To ports which are applicable
**GCP (Gain Compression Point)

Broadcast



Marine Oil & Gas



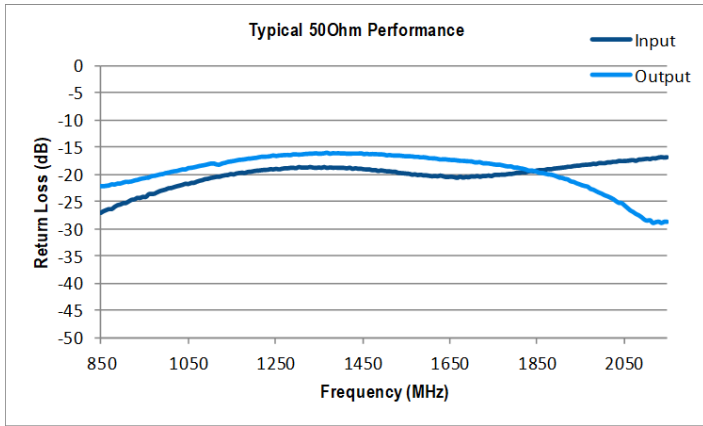
SNG & VSAT



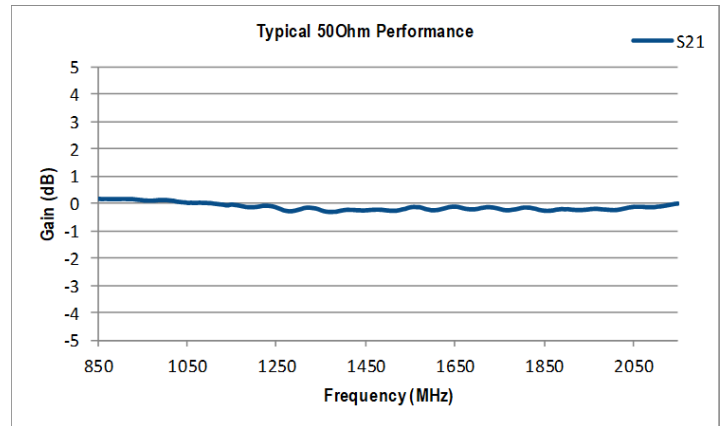
Satellite Teleport



Technical specifications and operating parameters



Return Loss (dB)



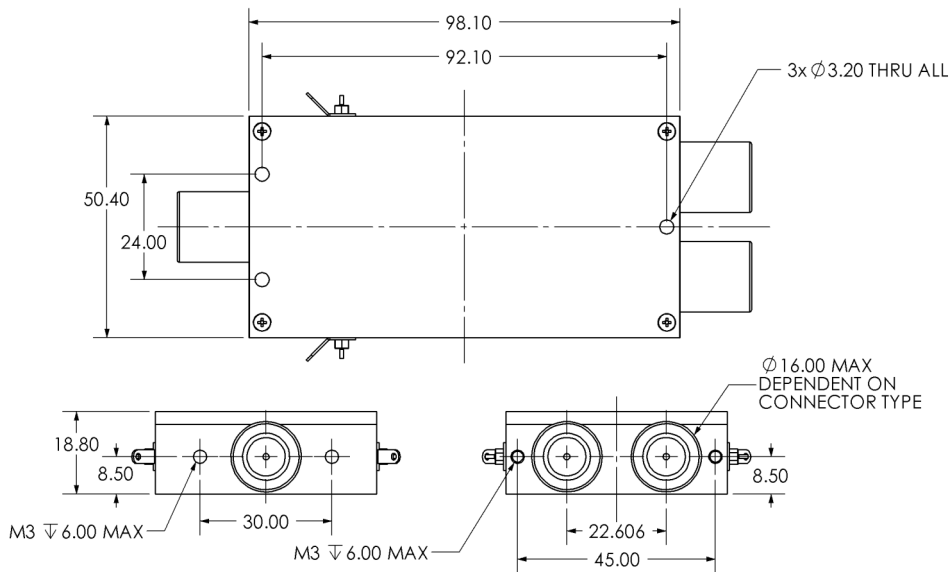
Gain (dB)

Environmental	
Operating Temperature	0°C to +45°C
Storage Temperature	-20°C to +75°C
Location	Indoor use Only
Humidity	Max 85% non-condensing
Altitude	Max 10,000 feet

Max Operating Parameters	
Input RF Power	+20 dBm
DC Voltage	24V on any RF port
DC Current	3A on any RF port

! Operation beyond these limits may cause instantaneous and permanent damage.

Physical Dimensions (mm)



Note: The specification is subject to regular reviews and will be updated from time to time as part of our continuing product development and improved specification accuracy.