



4-way L-band Active Splitter



DIV04L1A-2304 is an equalised 4-way L-band active splitter with 6dB flat gain and DC block on all ports. It requires 8-18V external DC bias.

This component is available with the following RF connector options: 50 Ω SMA, N-type, BNC and 75 Ω BNC or F-type.

*Summary table for RF performance over L-band operation, 850 MHz to 2150 MHz

Model Numbers	Conn.	Gain (dB)	1dB GCP		NF (dB)		Return Loss (dB)	
			Typical	Min	Typical	Max	Typical	Min
DIV04L1A-2304-S5S5	50Ω SMA	6 ± 2	5	3	5	7	17	13
DIV04L1A-2304-N5N5	50Ω N-type	6 ± 2	5	3	5	7	16	12
DIV04L1A-2304-B5B5	50Ω BNC	6 ± 2	5	3	5	8	15	12
DIV04L1A-2304-B7B7	75Ω BNC	6 ± 2	5	3	5	8	12	10
DIV04L1A-2304-F7F7	75Ω F-type	6 ± 2	5	3	5	8	12	10

*1dB Gain Compression Point (1dB GCP) is in relation to output power. Maximum current consumption is 80mA. NF is at 20 C

Maximum acceptable operating parameters for reliable and safe operation

Parameter	Value	Comment
Input RF power	+16 dBm	Max total RF power
DC Voltage	24 V	Any RF port. All RF ports are DC blocked
Operating temperature	0 to 45 C	Indoor use only
Storage Temperature	-20 C to +75 C	
Humidity	85%	Non-condensing

! Operation beyond these limits may cause instantaneous and permanent damage.

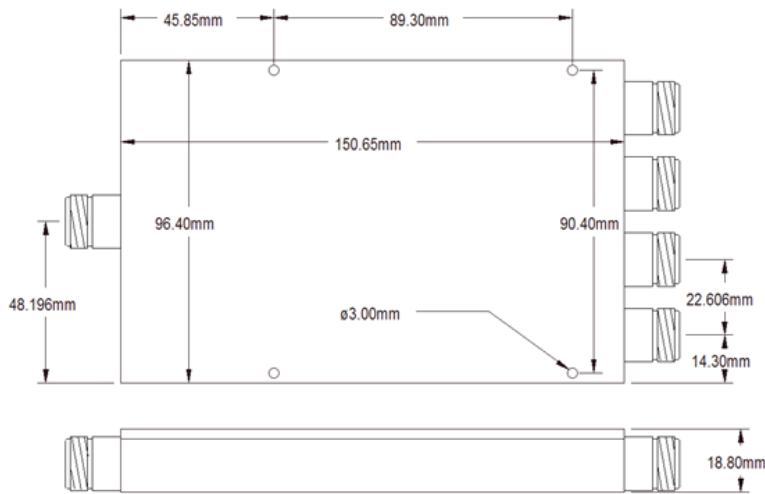
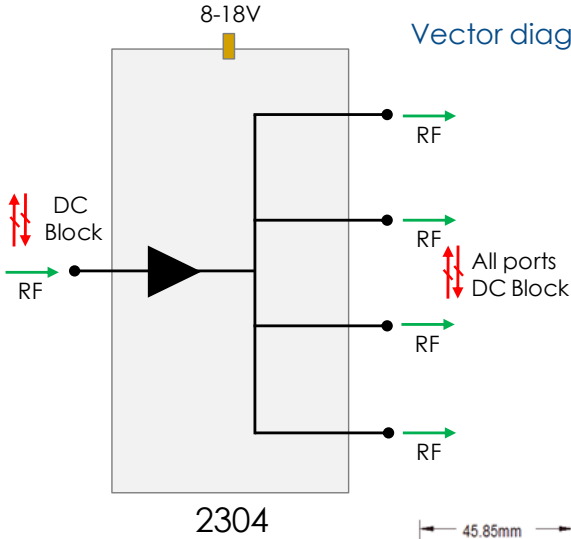


DIV04L1A-2304

4-way Active L-band Splitter



Vector diagram & physical dimensions



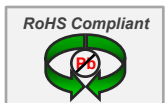
Alternative 4-way Active Splitters (identical models with additional features in brackets)

Model Number	Gain / Frequency Response	Other Features
DIV04L1A-2305	10dB gain / 1dB +ve slope	
DIV04L1A-2322 (2327)	Unity gain / flat response	2327 has LNB injection
DIV04L1A-2336	Unity gain / flat response	10MHz/DC pass on all ports, DC block between outputs
DIV04L1A-2339 (2341)	Unity gain / flat response	10MHz/DC pass on all ports with 5V regulation (2341 with no regulation)
DIV04L1A-2344	0dB gain / flat response	10MHz pass on all ports . Auto-changeover dual redundant amplifiers & LNB injection
DIV04L1A-2351	Unity gain / flat response	10MHz pass on OUTER ports and DC block on all. With regulator & LNB injection
DIV04L1A-2314 (2325)	6dB flat gain	S-band (2325 has DC injection)
DIV04L1A-2385		10MHz/DC pass on ONE port. In-line DC bias



ETL Systems Ltd, Coldwell Radio Station, Madley, Hereford, HR2 9NE, England

ETL Systems design, develop and manufacture specialist equipment for satellite ground stations. For a full description of the ETL product range, please see our website at www.etlsystems.com. This product range provides the basis for meeting your specific demands.



Tel +44 (0)1981 259020
 Fax +44 (0)1981 259021
info@etlsystems.com