

2-way L-band Active Splitter



DIV02L1A-2387 is a 2-way active L-band splitter with 5dB gain and 10MHz/DC pass on one port only. It requires 8-18V in-line DC bias on the common port.

This component is available with the following RF connector options: 50 Ω SMA, N-type, BNC and 75 Ω BNC or F-type.

Summary table for RF performance over L-band operation, 850 MHz to 2150 MHz

Model Numbers	RF Ports	Gain (dB)	1dB GCP*		NF (dB)		Return Loss (dB)	
			Typical	Min	Typical	Max	Typical	Min
DIV02L1A-2387-S5S5	50Ω SMA	10 ± 2	15	12	8	10	16	12
DIV02L1A-2387-N5N5	50Ω N-type	10 ± 2	15	12	8	10	15	12
DIV02L1A-2387-B5B5	50Ω BNC	10 ± 2	15	12	8	10	14	10
DIV02L1A-2387-B7B7	75Ω BNC	10 ± 2	15	12	8	12	12	10
DIV02L1A-2387-F7F7	75Ω F-type	10 ± 2 .5	15	12	8	12	10	7

1dB Gain Compression Point (1dB GCP) is in relation to output power.

Maximum current consumption is 100mA, typically 80mA.

Isolation: Isolation between any 2 output ports is typically 16dB .

Isolation: Isolation (reverse gain) between the common port and any of the output ports is typically 35dB.

10MHz Insertion loss is typically 0.5 dB, max 2dB

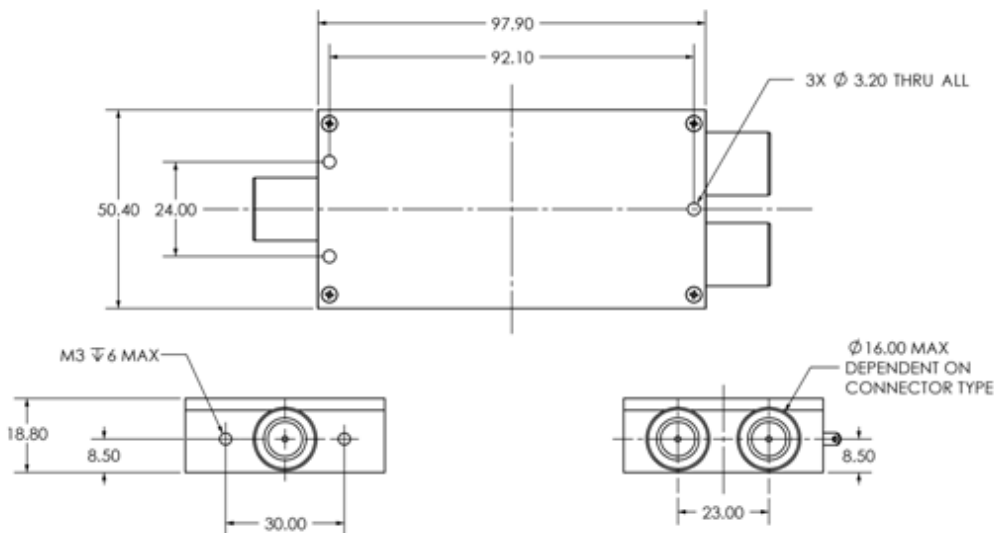
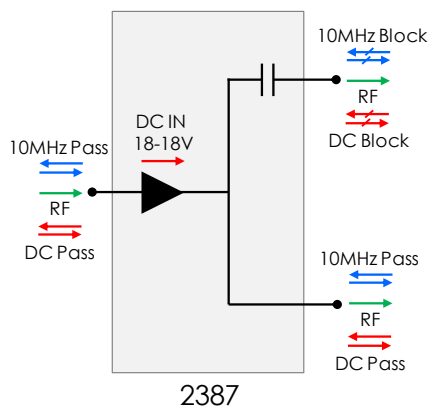
Maximum acceptable operating parameters for reliable and safe operation

Parameter	Value	Comment
Input RF power	+5 dBm	Max total RF power
DC Voltage	30 V	Any RF port
Operating temperature	0 to 50 C	Indoor use only
Storage Temperature	-20 C to +80 C	
Humidity	80%	Non-condensing

! Operation beyond these limits may cause instantaneous and permanent damage.



Vector diagram & physical dimensions



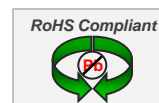
Alternative 2-way Active Splitters

Model Number	Gain / Frequency Response	Other Features
DIV02L1A-2301	5dB Gain / 3dB +ve slope	Integrated Regulator
DIV02L1A-2302	12dB Gain / Flat Frequency Response	Integrated Regulator
DIV02S2A-2309		S-band
DIV02S2A-2312		S-band
DIV02B1A-2310		IF to S-band (50 to 2500MHz)
DIV02L1A-2340	3dB Gain / Flat Frequency	LNB Bias
DIV02L1A-2372	10dB Gain / Flat Frequency	One port DC PASS
DIV02L1A-2369	6dB Gain / Flat Frequency	One port DC PASS
DIV02L1A-2387	5dB Gain / Flat Frequency	In-line bias. One port DC PASS & 10MHz PASS.
DIV02F1A-2401	Unity gain / flat response	Extended frequency range: 50 to 2800MHz & 10MHz pass
DIV02B2A-2402	Unity gain / flat response	Extended frequency range: 50 to 2150MHz & 10MHz pass



ETL Systems Ltd, Coldwell Radio Station, Madley, Hereford, HR2 9NE, England

ETL Systems design, develop and manufacture specialist equipment for satellite ground stations. For a full description of the ETL product range, please see our website at www.etlsystems.com. This product range provides the basis for meeting your specific demands.



Tel +44 (0)1981 259020
 Fax +44 (0)1981 259021
info@etlsystems.com