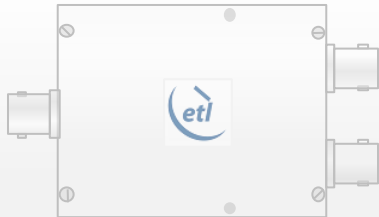


2-way Passive C-band Splitter/Combiner



COM02C3P-2549 is a 2-way passive C-band (3.5 to 6.5 GHz) splitter/combiner.

This component is available with the following RF connector options: 50 Ω SMA & 50 Ω N-type.

Summary table for RF performance over C operation, 3.5 GHz to 6.5 GHz

Model Numbers	Conn.	Insertion Loss* (dB)		Isolation Typical (dB)	Return Loss (dB)		Phase & Amplitude Misalignment	
		Typ.	Max		Typ.	Min	Φ	Amp(dB)
COM02C3P-2549-S5S5	50 Ω SMA	0.6	1.0	18	16	12	0.25	0.2
COM02C3P-2549-N5N5	50 Ω N-type	0.7	1.0	18	14	10	0.25	0.2

* The quoted insertion loss is loss above theoretical due to power split. For 2-way splitters theoretical value is 3dB. Typical values may vary between different production batches.

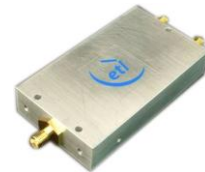
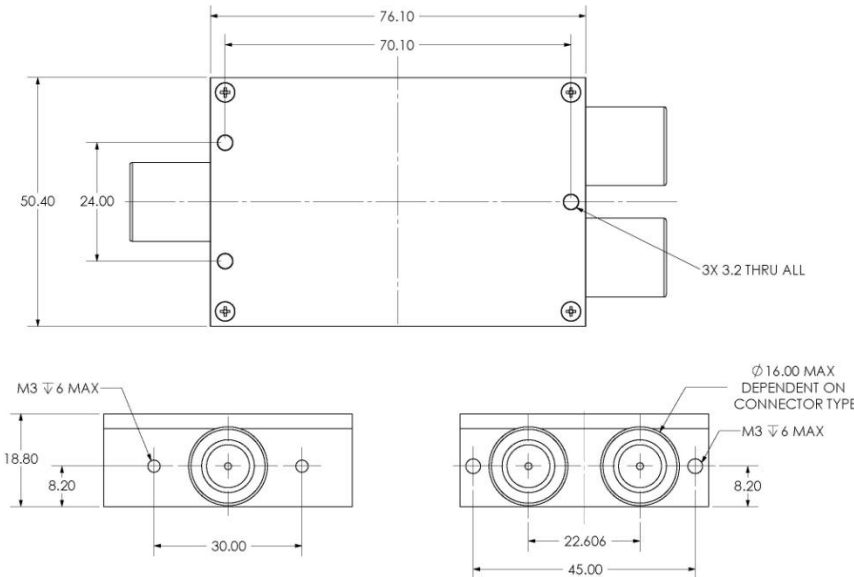
Maximum acceptable operating parameters for reliable and safe operation

Parameter	Value	Comment
Input RF power	+37 dBm (5W)	Max total RF power
DC Voltage	50V	Any RF port
Operating temperature	0 to 45 C	Indoor use only
Storage Temperature	-20 C to +75 C	
Humidity	85%	Non-condensing

! Operation beyond these limits may cause instantaneous and permanent damage.



Vector diagram & physical dimensions



N.B: The housing and fixing holes may vary from time to time. This would be to expedite delivery by using an alternative suitable, similar housing. If this is a concern please advise with your order.

Alternative 2-way passive C-band splitters/combiners.
(figures may vary based on connector types)

Model Number	Frequency	Insertion Loss Typical (dB)	Isolation Loss Typical (dB)	Return Loss Typical (dB)
COM02C2P-2547	3.5-4.2 GHz	0.5	20	18
COM02C3P-2548	5.8-6.5 GHz	0.5	20	18