

4-way Passive IF-band Splitter/Combiner



COM04F4P-2537 is a 4-way passive IF (50 to 1000MHz) splitter/combiner with DC block on all ports.

This component is available with the following RF connector options: 50 Ω SMA, N-type, BNC and 75 Ω BNC or F-type.

Summary table for RF performance over IF operation, 50 MHz to 1000 MHz

Model Numbers	RF Ports	Insertion Loss* (dB)		Isolation Typical (dB)	Return Loss (dB)		Phase & Amplitude Misalignment	
		Typ.	Max		Typ.	Min	Φ	Amp(dB)
COM04F4P-2537-S5S5	50 Ω SMA	1.0	2.0	22	18	12	0.5°	0.5
COM04F4P-2537-N5N5	50 Ω N-type	1.0	2.0	22	18	12	0.5°	0.5
COM04F4P-2537-B5B5	50 Ω BNC	1.0	2.0	22	18	12	0.5°	0.5
COM04F4P-2537-B7B7	75 Ω BNC	1.5	2.5	20	15	10	1°	0.8
COM04F4P-2537-F7F7	75 Ω F-type	1.5	2.5	20	15	10	1°	0.8

* The quoted insertion loss is loss above theoretical due to power split. For 8-way splitters theoretical value is 9dB. 10 MHz insertion loss is 3dB max above the theoretical. Typical values may vary between different production batches.

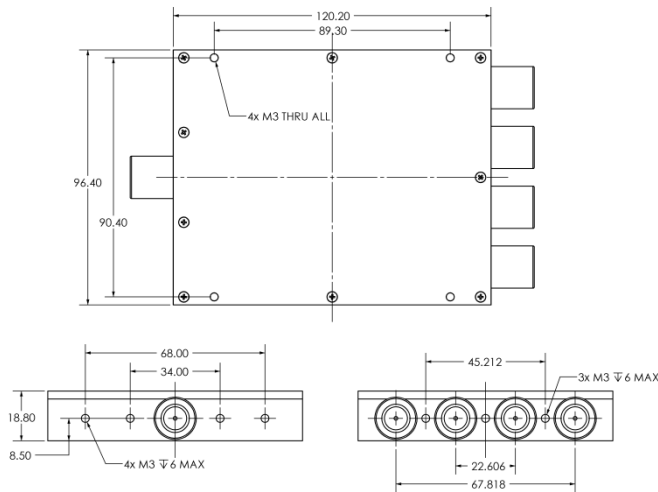
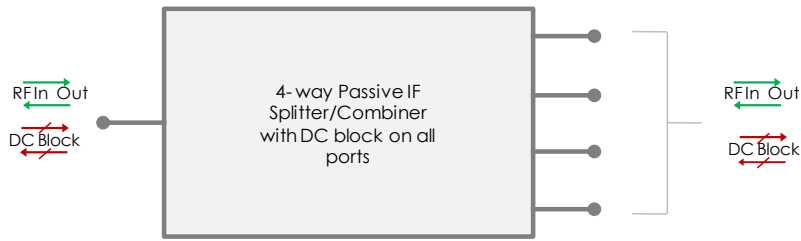
Maximum acceptable operating parameters for reliable and safe operation

Parameter	Value	Comment
Input RF power	+37 dBm (5W)	Max total RF power
DC Voltage	50V	Any RF port
Operating temperature	0 to 45°C	Indoor use only
Storage Temperature	-20°C to +75°C	
Humidity	85%	Non-condensing

! Operation beyond these limits may cause instantaneous and permanent damage.



Vector diagram & physical dimensions



Feature set for alternative 4-way Passive IF splitters/combiners

Model Number	Frequency	DC Pass/Block
COM04F2P-2579	50-200 MHz	DC block on ALL ports