

## 4-way Passive L-band Splitter/Combiner



COM04L1P-2534 is a 4-way passive L-band splitter/combiner with 10MHz pass and DC block on all ports.

This component is available with the following RF connector options: 50  $\Omega$  SMA, N-type, BNC and 75  $\Omega$  BNC or F-type.

Summary table for RF performance over L-band operation, 850 MHz to 2150 MHz

Model Numbers	RF Ports	Insertion Loss* (dB)		Isolation Typical (dB)	Return Loss (dB)		Phase & Amplitude Misalignment	
		Typ.	Max		Typ.	Min	$\Phi$	Amp(dB)
COM04L1P-2534-S5S5	50 $\Omega$ SMA	1.0	1.5	23	18	12	1°	0.25
COM04L1P-2534-N5N5	50 $\Omega$ N-type	1.0	1.5	23	18	12	1°	0.25
COM04L1P-2534-B5B5	50 $\Omega$ BNC	1.0	1.5	23	18	12	1.5°	0.3
COM04L1P-2534-B7B7	75 $\Omega$ BNC	1.2	1.8	23	14	10	2°	0.4
COM04L1P-2534-F7F7	75 $\Omega$ F-type	1.6	2.0	23	12	10	5°	0.5

\* The quoted insertion loss is loss above theoretical due to power split. For 4-way splitters theoretical value is 6dB. 10 MHz insertion loss is typically 1dB, max 3dB above the theoretical. Typical values may vary among different production batches.

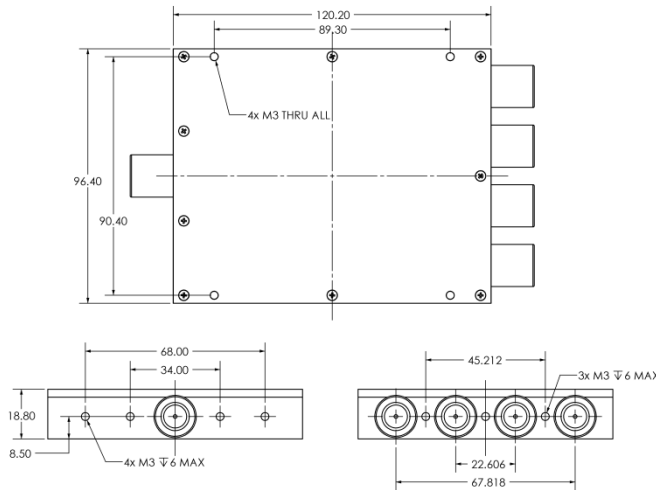
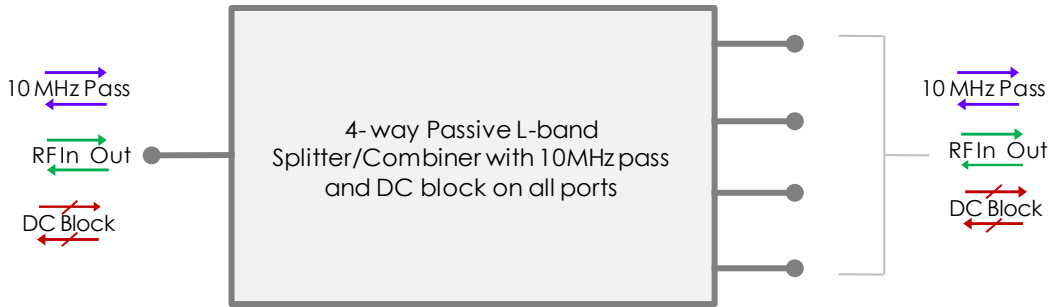
Maximum acceptable operating parameters for reliable and safe operation

Parameter	Value	Comment
Input RF power	+37 dBm (5W)	Max total RF power
DC Voltage	50V	
Operating temperature	0 to 45°C	Indoor use only
Storage Temperature	-20°C to +75°C	
Humidity	85%	Non-condensing

**!** Operation beyond these limits may cause instantaneous and permanent damage.



### Vector diagram & physical dimensions



**N.B:** The housing and fixing holes may vary from time to time. This would be to expedite delivery by using an alternative suitable, similar housing. If this is a concern please advise with your order.

### Feature set for some alternative 4-way Passive L-band splitters/combiners

Model Number	DC Pass/Block	10 MHz Pass/Block	Other features
COM04L1P-2504	DC pass on ALL ports	10MHz pass on all ports	
COM04L1P-2520	DC block between outputs, DC pass to common port		
COM04L1P-2521	DC block on all other ports		LNB injection on common port
COM04L1P-2524	DC block between outputs, DC pass on one port only		
COM04L1P-2525	DC block on all ports		
COM04L1P-2532		10MHz pass on all ports	DC injection
COM04L1P-2540	DC block on one port, DC pass on all other ports		
COM04L1P-2554	DC pass on one port, DC block on all other ports		For DC & 10MHz pass see 2563
COM04L1P-2563	DC pass on one port, DC block on all other ports	10MHz pass on port one & blocked on all other s.	
COM04L1P-2578	DC pass on one port, DC block on all other ports		



ETL Systems Ltd, Coldwell Radio Station, Madley, Hereford, HR2 9NE, England

ETL Systems design, develop and manufacture specialist equipment for satellite ground stations. For a full description of the ETL product range, please see our website at [www.etlsystems.com](http://www.etlsystems.com). This product range provides the basis for meeting your specific demands.



Tel +44 (0)1981 259020  
 Fax +44 (0)1981 259021  
[info@etlsystems.com](mailto:info@etlsystems.com)