

## 2-way Passive L-band Splitter/Combiner



COM02L1P-2574 is a 2-way passive L-band splitter/combiner with 10MHz rejection (25dB typical) and DC block on all ports

This component is available with the following RF connector options: 50  $\Omega$  SMA, N-type, BNC and 75  $\Omega$  BNC or F-type.

Summary table for RF performance over L-band operation, 850 MHz to 2150 MHz

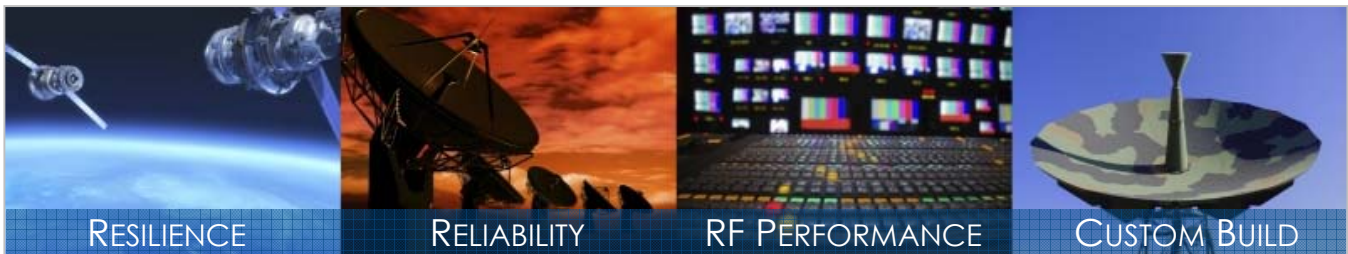
Model Numbers	Conn.	Insertion Loss* (dB)		Isolation Typical (dB)	Return Loss (dB)		Phase & Amplitude misalignment	
		Typical	Max		Typical	Min	$\Phi$	Amp(dB)
COM02L1P-2574-S5S5	50 $\Omega$ SMA	0.4	.6	23	21	16	1°	0.05
COM02L1P-2574-N5N5	50 $\Omega$ N-type	0.5	0.7	20	20	15	1°	0.05
COM02L1P-2574-B5B5	50 $\Omega$ BNC	0.5	0.8	20	18	15	1°	0.05
COM02L1P-2574-B7B7	75 $\Omega$ BNC	0.6	0.8	20	15	12	1°	0.05
COM02L1P-2574-F7F7	75 $\Omega$ F-type	0.7	1.0	17	12	8	2°	0.15

\* The quoted insertion loss is loss above theoretical due to power split. For 2-way splitters theoretical value is 3dB. Typical 10 MHz rejection is 25dBm. The quoted values may vary between different production batches.

### Maximum acceptable operating parameters for reliable and safe operation

Parameter	Value	Comment
Input RF power	+37 dBm (5W)	Max total RF power
DC Voltage	50V / 5A	Any RF port : 3A Max if SMA or F type connector
Operating temperature	0 to 45°C	Indoor use only
Storage Temperature	-20°C to +75°C	
Humidity	85%	Non-condensing

**!** Operation beyond these limits may cause instantaneous and permanent damage.



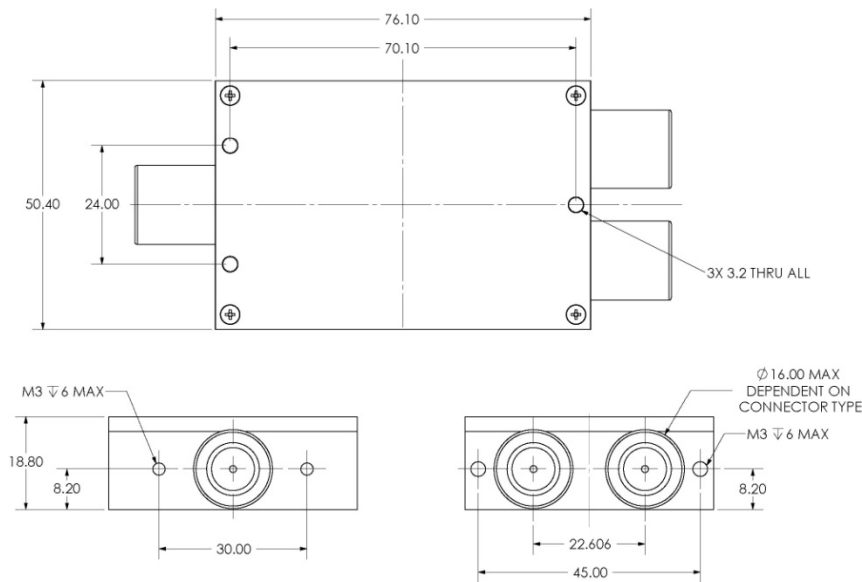
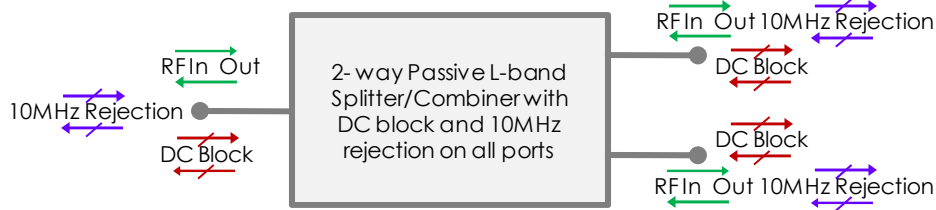
RESILIENCE

RELIABILITY

RF PERFORMANCE

CUSTOM BUILD

### Vector diagram & physical dimensions



**N.B:** The housing and fixing holes may vary from time to time. This would be to expedite delivery by using an alternative suitable, similar housing. If this is a concern please advise with your order.

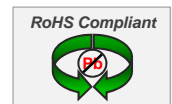
### Feature set for alternative 2-way Passive L-band splitters/combiners

Model Number	DC Pass/Block	10 MHz Pass/Block	LNB/DC injection
COM02L1P-2501	DC block on ALL ports		
COM02L1P-2502	DC pass on ALL ports	10 MHz pass on ALL ports	
COM02L1P-2505	DC block on ALL ports		LNB Bias feed on common port
COM02L1P-2541	DC block on ONE port	10 MHz pass on ALL ports	
COM02L1P-2542	DC block on ALL ports	10 MHz pass on ALL ports	LNB Bias feed on common port
COM02L1P-2543	DC block on ONE port	10 MHz pass on ONE port	
COM02L1P-2562	DC pass from ALL outputs to common, DC block between outputs		
COM02L1P-2576	DC block on ALL ports		LNB injection on common port by DC injection via filter-con



ETL Systems Ltd, Coldwell Radio Station, Madley, Hereford, HR2 9NE, England

ETL Systems design, develop and manufacture specialist equipment for satellite ground stations. For a full description of the ETL product range, please see our website at [www.etlsystems.com](http://www.etlsystems.com). This product range provides the basis for meeting your specific demands.



Tel +44 (0)1981 259020  
 Fax +44 (0)1981 259021  
[info@etlsystems.com](mailto:info@etlsystems.com)