

Equalised Dual 4-Way C-band Splitter Summary

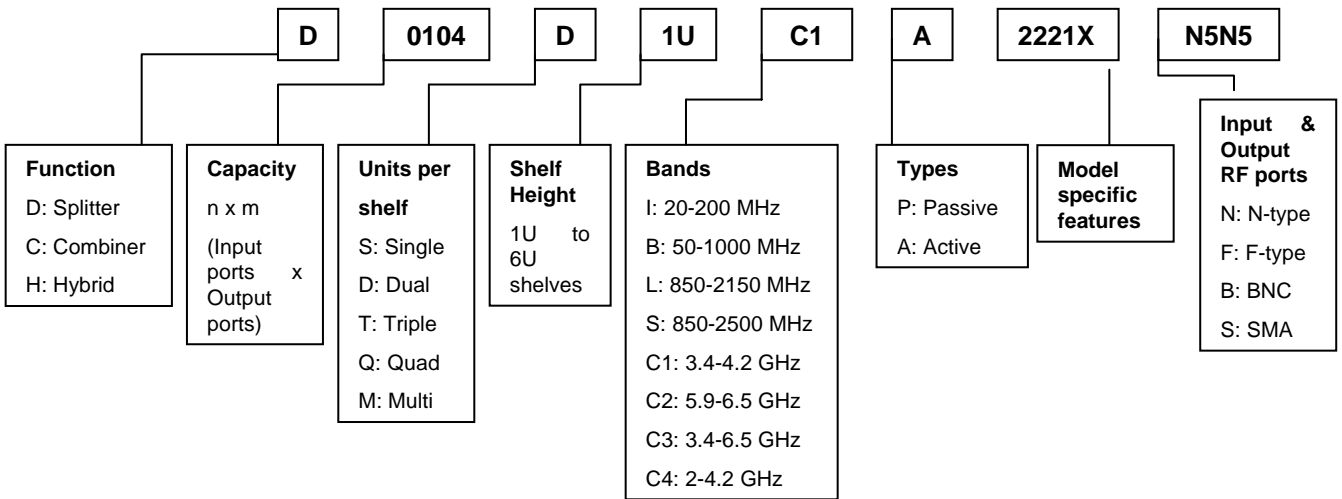


ETL has developed a comprehensive range of **active C-band splitters** with insertion gain from 0dB to 18dB.

These splitters have been developed for demanding military applications and some units have the RF outputs on the front panel for rapid changes in required deployment. These units cover the C-band Rx frequencies but others are also available. 50 ohm N-type connectors give the levels of RF performance requires in the military sector but as usual there are plenty of options here.



The model numbering system for ETL splitters can be seen below:



RESILIENCE

FLEXIBILITY

RF PERFORMANCE



Technical Specifications

Base Model D0104D1UC1A-	Suffix 22212	Suffix 22213	Suffix 22215	Suffix 22216
Capacity	4-way (dual)	4-way	4-way	4-way
Frequency	3.4-4.2 GHz	3.4-4.2 GHz	3.4-4.2 GHz	3.4-4.2 GHz
Impedance	50 Ω	50 Ω	50 Ω	50 Ω
RF Port	N-type or SMA (all on rear)	N-type or SMA (RF out on front)	N-type or SMA (RF out on front)	N-type or SMA (all on rear)
Insertion Gain	+15 dB nominal (± 2dB)	0 dB nominal (± 2dB)	+18 dB (± 2dB)	+15 dB (± 2dB)
Flatness	± 1 dB	± 1 dB	± 1 dB	± 1 dB
Input Return Loss	15 dB typical	15 dB typical	15 dB typical	15 dB typical
Output Return Loss	15 dB typical	15 dB typical	15 dB typical	15 dB typical
1dB Compression Point (Input power)	0 dBm	0 dBm	0 dBm	0 dBm
Noise Figure	10 dB	12 dB	12 dB	12 dB
Power	85 to 264 VAC, 50/60 MHz	85 to 264 VAC, 50/60 MHz	85 to 264 VAC, 50/60 MHz	85 to 264 VAC, 50/60 MHz
Power Supply	Single power supply and single mains inlet (for dual see 22216)	Dual redundant power supplies and dual mains inlets	Dual redundant power supplies and dual mains inlets	Dual redundant power supplies and dual mains inlets
Alarms	Dry contact alarm for PSU failure	Dry contact alarm for PSU failure	Dry contact alarm for PSU failure	Dry contact alarm for PSU failure
Physical	1U high 350mm 19" shelf	1U high 350mm 19" shelf	1U high 350mm 19" shelf	1U high 350mm 19" shelf
Colour	White 00-E-55 Semi-Gloss, Front Panel	White 00-E-55 Semi-Gloss, Front Panel	White 00-E-55 Semi-Gloss, Front Panel	White 00-E-55 Semi-Gloss, Front Panel

4-way dual C-band splitter technical summary

(note quoted specifications for 50 ohm N-type versions)

ETL Systems develop, design and manufacture specialist equipment for satellite ground stations. For a fuller description of the ETL product range, please visit our website. This range can be used as the basis to meet your specific demands.

For additional information or details, please contact us at:



ETL Systems Limited, Coldwell Radio Station, Madley, Hereford, England HR2 9NE
 T +44 (0)1981 259020 F +44 (0)1981 259021 E info@etlsystems.com www.etlsystems.com

