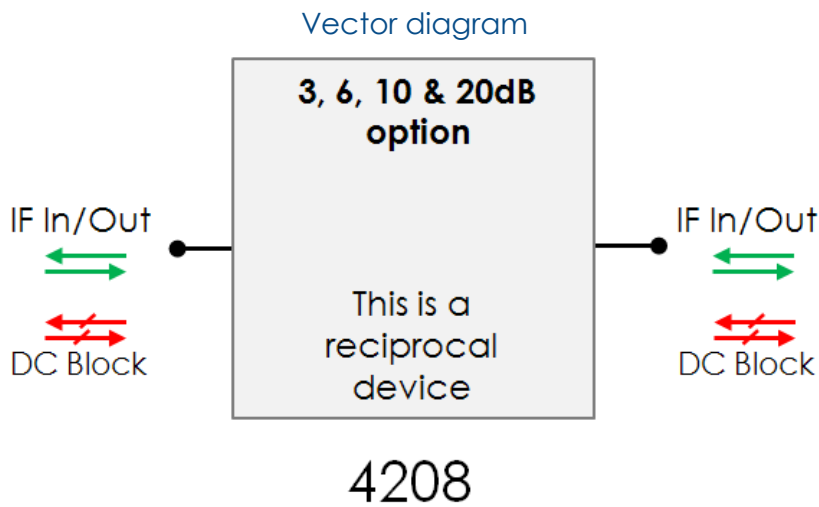


## IF Attenuator



ATTxx-F5P-4208 is an IF (10 to 200MHz) attenuator available with a fixed option of 3, 6, 10 or 20dB attenuation. All Ports are DC Blocked.

This component is available with the following RF connector options: 50  $\Omega$  SMA, N-type, BNC and 75  $\Omega$  BNC or F-type.



Maximum acceptable operating parameters for reliable and safe operation

Parameter	Value	Comment
Input RF power	+37 dBm (5W)	Max total RF power
DC Voltage	50V	Any RF port
Operating temperature	0 to 55°C	Indoor use only
Storage Temperature	-20°C to +75°C	
Humidity	85%	Non-condensing
Altitude	10,000 Feet	Above Mean Sea Level

**!** Operation beyond these limits may cause instantaneous and permanent damage.



### IF attenuators - typical performance

Model Number	Attenuation (dB)	Attenuation vs. Frequency variation (dB)	Return Loss (dB)	
			Typ.	Max

#### ATT03F5P-4208

ATT03F5P-4208-S5S5	3	±0.5	18	14
ATT03F5P-4208-N5N5	3	±0.5	18	14
ATT03F5P-4208-B5B5	3	±0.5	16	12
ATT03F5P-4208-B7B7	3	±0.7	12	8
ATT03F5P-4208-F7F7	3	±1.0	12	8

#### ATT06F5P-4208

ATT06F5P-4208-S5S5	6	±0.6	17	13
ATT06F5P-4208-N5N5	6	±0.6	17	13
ATT06F5P-4208-B5B5	6	±0.6	16	12
ATT06F5P-4208-B7B7	6	±0.8	11	8
ATT06F5P-4208-F7F7	6	±1.0	11	8

#### ATT10F5P-4208

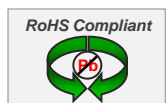
ATT10F5P-4208-S5S5	10	±0.6	16	12
ATT10F5P-4208-N5N5	10	±0.6	16	12
ATT10F5P-4208-B5B5	10	±0.6	15	11
ATT10F5P-4208-B7B7	10	±0.8	10	8
ATT10F5P-4208-F7F7	10	±1.0	10	8

#### ATT20F5P-4208

ATT20F5P-4208-S5S5	20	±0.6	15	11
ATT20F5P-4208-N5N5	20	±0.6	15	11
ATT20F5P-4208-B5B5	20	±0.6	14	10
ATT20F5P-4208-B7B7	20	±0.8	10	8
ATT20F5P-4208-F7F7	20	±1.0	10	8

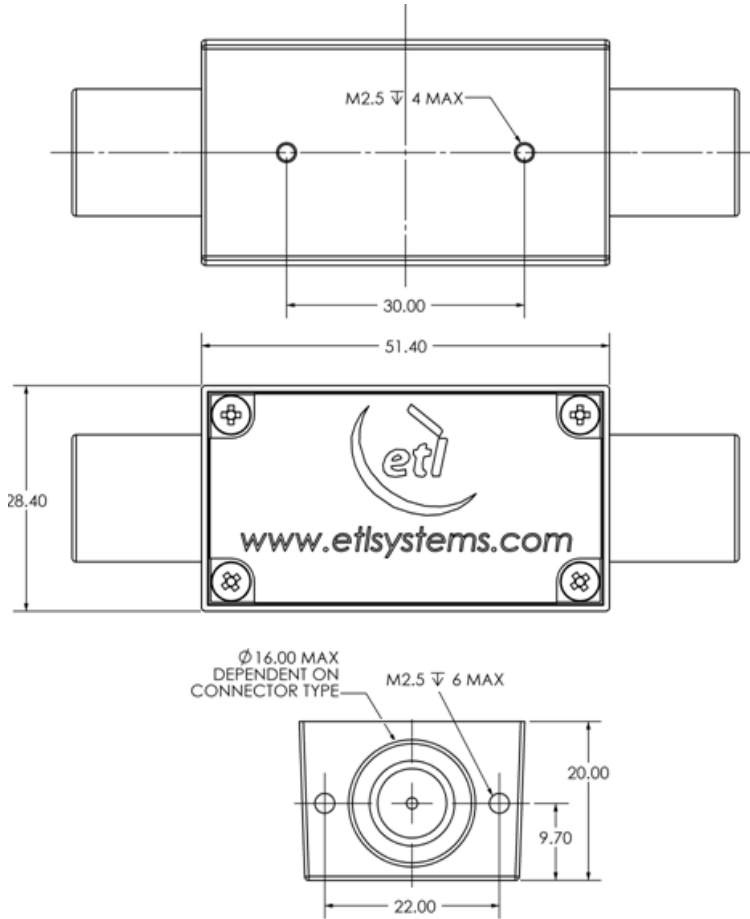
ETL Systems Ltd, Coldwell Radio Station, Madley, Hereford, HR2 9NE, England

ETL Systems design, develop and manufacture specialist equipment for satellite ground stations. For a full description of the ETL product range, please see our website at [www.etlsystems.com](http://www.etlsystems.com). This product range provides the basis for meeting your specific demands.



Tel +44 (0)1981 259020  
 Fax +44 (0)1981 259021  
[info@etlsystems.com](mailto:info@etlsystems.com)

### Physical dimensions



### Alternative attenuators

Model Number	Attenuation Range	Frequency (MHz)	Other features
ATTxxL1P-4203	3, 6, 10, 20	L-band (850-2150)	DC block on both ports
ATTxxL1P-4204	3, 6, 10, 20	L-band (850-2150)	DC pass
ATTxxL1P-4205	3, 6, 10, 20	L-band (850-2150)	10MHz and DC pass
ATTxxL1P-4206	3, 6, 10, 20	L-band (850-2150)	10MHz pass and DC block
ATTxxL1P-4207	3, 6, 10, 20	L-band (850-2150)	10MHz and DC block
ATTxxF5P-4208	3, 6, 10, 20	IF (10-200MHz)	DC block