

2-way Passive S-band Splitter/Combiner



COM02S1P-2506 is a 2-way passive S-band (500 to 2750MHz) splitter/combiner with DC block on all ports.

This component is available with the following RF connector options: 50 Ω SMA, 50 Ω N-type and 50 Ω BNC.

Summary table for RF performance over S-band operation, 500 MHz to 2750 MHz

| Model Numbers | Conn. | Insertion Loss* (dB) | | Isolation Typical (dB) | Return Loss (dB) | | Phase & Amplitude misalignment | |
|--------------------|--------------------|----------------------|-----|------------------------|------------------|-----|--------------------------------|---------|
| | | Typical | Max | | Typical | Min | Φ | Amp(dB) |
| COM02S1P-2506-S5S5 | 50 Ω SMA | 0.5 | 0.9 | 23 | 21 | 16 | 1° | 0.05 |
| COM02S1P-2506-N5N5 | 50 Ω N-type | 0.6 | 0.9 | 20 | 20 | 15 | 1° | 0.05 |
| COM02S1P-2506-B5B5 | 50 Ω BNC | 0.8 | 1.2 | 20 | 18 | 15 | 1° | 0.05 |

* The quoted insertion loss is loss above theoretical due to power split. For 2-way splitters theoretical value is 3dB. 10 MHz insertion loss is 3dB max above the theoretical. Typical values may vary between different production batches.

Maximum acceptable operating parameters for reliable and safe operation

| Parameter | Value | Comment |
|-----------------------|----------------|--------------------|
| Input RF power | +37 dBm (5W) | Max total RF power |
| DC Voltage | 50V | Any RF port |
| Operating temperature | 0 to 45 C | Indoor use only |
| Storage Temperature | -20 C to +75 C | |
| Humidity | 85% | Non-condensing |

! Operation beyond these limits may cause instantaneous and permanent damage.

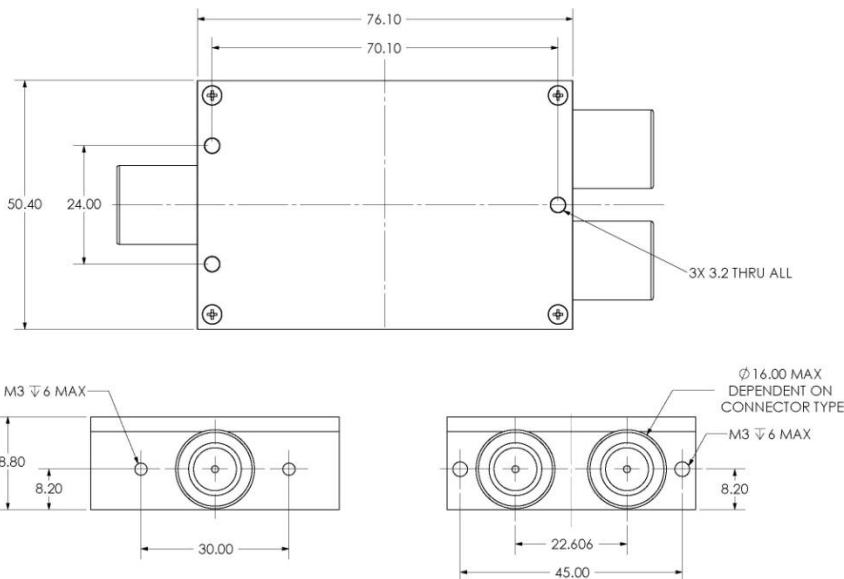


COM02S1P-2506

2-way Passive S-band Splitter/Combiner



Vector diagram & physical dimensions



N.B: The housing and fixing holes may vary from time to time. This would be to expedite delivery by using an alternative suitable, similar housing. If this is a concern please advise with your order.

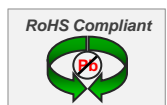
Feature set for alternative 2-way Passive S-band splitters/combiners

| Model Number | DC Pass/Block | 10 MHz Pass/Block |
|---------------|----------------------|--------------------------|
| COM02S1P-2507 | DC pass on ALL ports | 10 MHz pass on ALL ports |



ETL Systems Ltd, Coldwell Radio Station, Madley, Hereford, HR2 9NE, England

ETL Systems design, develop and manufacture specialist equipment for satellite ground stations. For a full description of the ETL product range, please see our website at www.etlsystems.com. This product range provides the basis for meeting your specific demands.



Tel +44 (0)1981 259020
 Fax +44 (0)1981 259021
info@etlsystems.com