

## 3-way Passive L-band Splitter/Combiner



COM03L1P-2602 is a 3-way passive L-band splitter/combiner with 10MHz and DC block on all ports.

This component is available with the following RF connector options: 50 Ω SMA, N-type, BNC and 75 Ω BNC or F-type.

Summary table for RF performance over L-band operation, 850 MHz to 2150 MHz

Model Numbers	RF Ports	Insertion Loss* (dB)		Isolation Typical (dB)	Return Loss (dB)		Phase & Amplitude Misalignment	
		Typ.	Max		Typ.	Min	Φ	Amp(dB)
COM03L1P-2602-S5S5	50Ω SMA	0.5	0.9	23	18	14	0.5°	0.1
COM03L1P-2602-N5N5	50Ω N-type	0.6	1.0	23	18	14	0.5°	0.1
COM03L1P-2602-B5B5	50Ω BNC	0.7	1.1	20	15	12	1°	0.3
COM03L1P-2602-B7B7	75Ω BNC	1.0	1.3	20	14	10	2°	0.4
COM03L1P-2602-F7F7	75Ω F-type	1.5	2.2	18	10	6	5°	0.8

\* The quoted insertion loss is loss above theoretical due to power split. For 3-way splitters theoretical value is 4.7dB. typical 10 MHz rejection is 25dB. Typical values may vary between different production batches.

Maximum acceptable operating parameters for reliable and safe operation

Parameter	Value	Comment
Input RF power	+37 dBm (5W)	Max total RF power
DC Voltage	50V / 500mA	Any RF port
Operating temperature	0 to 45 C	Indoor use only
Storage Temperature	-20 C to +75 C	
Humidity	85%	Non-condensing
Altitude	10,000 feet	Above Mean See level

**!** Operation beyond these limits may cause instantaneous and permanent damage.

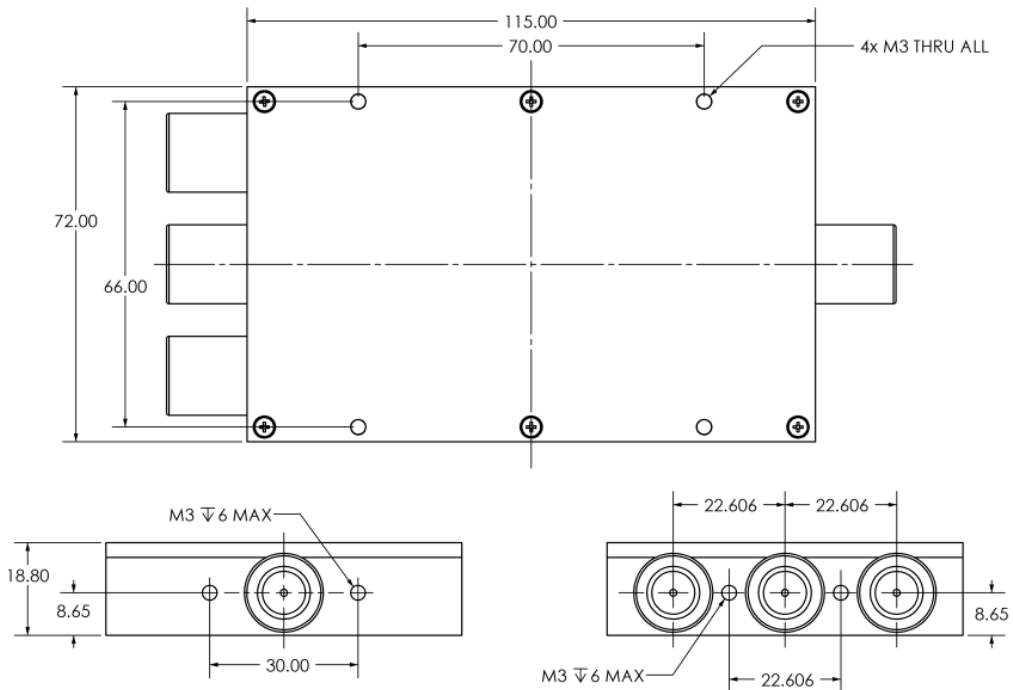
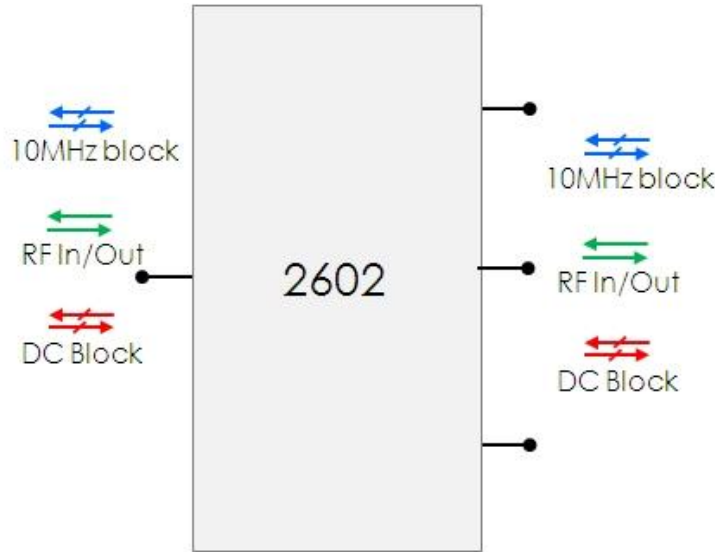


# COM03L1P-2602

3-way Passive L-band Splitter/Combiner

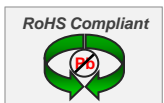


Vector diagram & physical dimensions



ETL Systems Ltd, Coldwell Radio Station, Madley, Hereford, HR2 9NE, England

ETL Systems design, develop and manufacture specialist equipment for satellite ground stations. For a full description of the ETL product range, please see our website at [www.etlsystems.com](http://www.etlsystems.com). This product range provides the basis for meeting your specific demands.



Tel +44 (0)1981 259020  
Fax +44 (0)1981 259021  
[info@etlsystems.com](mailto:info@etlsystems.com)

# COM03L1P-2602

3-way Passive L-band Splitter/Combiner



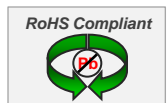
## Feature set for alternative 3-way Passive L-band splitters/combiners

Model Number	DC Pass/Block	10 MHz Pass/Block	Other features
COM03L1P-2602	DC block on all ports	10MHz block on all ports	Customised options are available
COM03L1P-2528	DC pass on all ports	10MHz pass on all ports	Customised options are available
COM03L1P-2555	DC block on port 1, DC pass between common and ports 2 & 3	10MHz response is not characterised	Customised options are available
COM03L1P-2573	DC pass on TWO ports, DC block on one port	10MHz pass on ONE port (DC blocked port)	Customised options are available
COM03L1P-2590	DC pass on port 1, DC block on ports 2 & 3	10MHz pass on port 1, 10MHz block on ports 2 & 3	Customised options are available



ETL Systems Ltd, Coldwell Radio Station, Madley, Hereford, HR2 9NE, England

ETL Systems design, develop and manufacture specialist equipment for satellite ground stations. For a full description of the ETL product range, please see our website at [www.etlsystems.com](http://www.etlsystems.com). This product range provides the basis for meeting your specific demands.



Tel +44 (0)1981 259020  
Fax +44 (0)1981 259021  
[info@etlsystems.com](mailto:info@etlsystems.com)