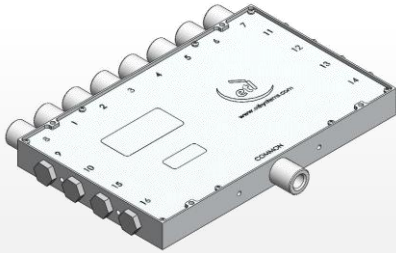


8-way IF to S band Active Splitter: 50 MHz to 2800MHz



DIV08F1A-2409 is a 8-way active splitter covering IF, and L- and S band (50 to 2800MHz) and passes 10MHz. It is built with an integral regulator and requires a DC voltage within 8 to 18V. All RF ports are DC blocked.

This component is available with the following RF connector options: 50 Ω SMA, N-type and BNC.

Summary table for RF performance over L-band operation, 50 MHz to 2800 MHz

Model Numbers	Conn.	Gain (dB)	Gain flatness	1dB GCP		NF (dB)		Return Loss (dB)	
				Typical	Min	Typical	Max	Typical	Min
DIV08B2A-2409-S5S5	50 Ω SMA	0 \pm 2	\pm 1.4	5	2	12	15	16	12
DIV08B2A-2409-N5N5	50 Ω N-type	0 \pm 2	\pm 1.6	5	2	12	15	15	12
DIV08B2A-2409-B5B5	50 Ω BNC	0 \pm 2	\pm 1.8	5	2	12	15	14	10

1dB Gain Compression Point (1dB GCP) is in relation to output power.

Maximum current consumption is 200mA, typically 160mA.

Isolation: Isolation between any 2 output ports is typically 16dB .

Isolation: Isolation (reverse gain) between the common port and any of the output ports is typically 35dB.

10MHz Insertion loss is 0 \pm 3dB

Maximum acceptable operating parameters for reliable and safe operation

Parameter	Value	Comment
Input RF power	+20 dBm	Max total RF power
DC Voltage	18 V	Any RF port
Operating temperature	0 to 45 C	Indoor use only
Storage Temperature	-20 C to +75 C	
Humidity	85%	Non-condensing

! Operation beyond these limits may cause instantaneous and permanent damage.

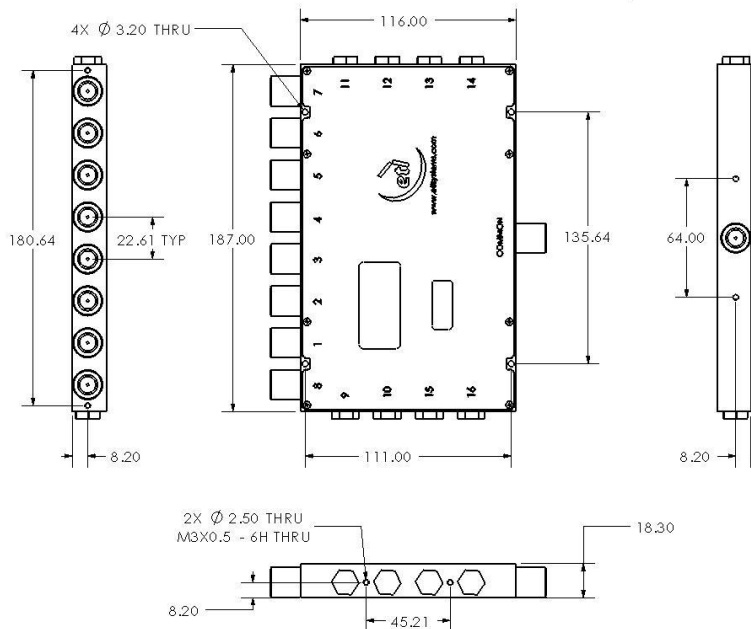
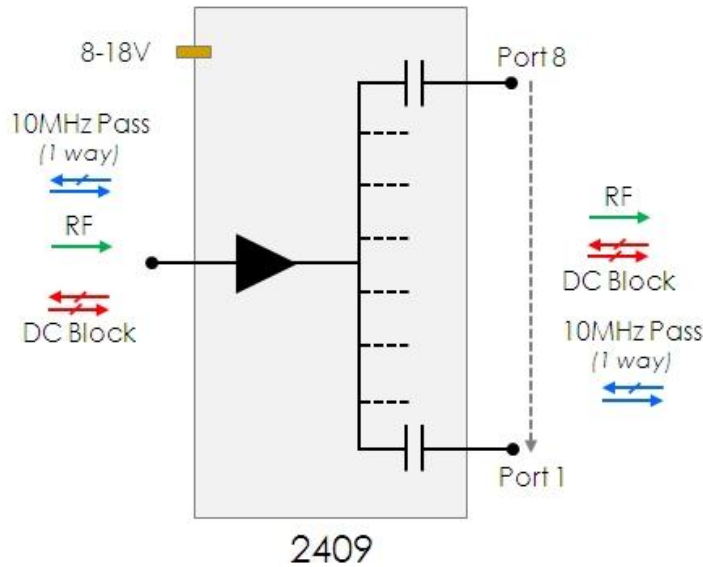


DIV08F1A-2409

8-way Active IF to S band Splitter

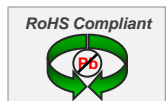


Vector diagram & physical dimensions



ETL Systems Ltd, Coldwell Radio Station, Madley, Hereford, HR2 9NE, England

ETL Systems design, develop and manufacture specialist equipment for satellite ground stations. For a full description of the ETL product range, please see our website at www.etlsystems.com. This product range provides the basis for meeting your specific demands.



Tel +44 (0)1981 259020
 Fax +44 (0)1981 259021
info@etlsystems.com

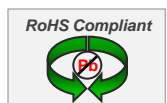
Alternative 8-way Active Splitters

Model Number	Gain / Frequency Response	Other Features
DIV08F2A-2333		IF frequency 20-1000MHZ. Integrated
DIV08L1A-2308	Unity gain	DC block on ALL ports
DIV08L1A-2320		10MHz/DC pass on ALL ports
DIV08L1A-2330	Unity gain	LNB bias with dual DC input pins
DIV08L1A-2334	Unity gain	10MHz/DC pass on port 1 only
DIV08L1A-2352	Unity gain	10MHz pass on ports 1 and 2 only, DC block on ALL ports
DIV08L1A-2354	Unity gain	10MHz/DC pass on ALL ports, DC block between outputs
DIV08L1A-2356	2dB gain / flat frequency response	Auto-changeover redundant amplifiers
DIV08L1A-2357	Unity gain	10MHz pass and DC block on ALL ports
DIV08F1A-2409	Unity gain / flat response	Extended frequency range: 50 to 2800MHz & 10MHz pass
DIV08B2A-2410	Unity gain / flat response	Extended frequency range: 50 to 2150MHz & 10MHz pass



ETL Systems Ltd, Coldwell Radio Station, Madley, Hereford, HR2 9NE, England

ETL Systems design, develop and manufacture specialist equipment for satellite ground stations. For a full description of the ETL product range, please see our website at www.etlsystems.com. This product range provides the basis for meeting your specific demands.



Tel +44 (0)1981 259020
 Fax +44 (0)1981 259021
info@etlsystems.com