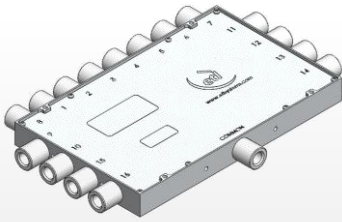


16-way IF to L band Active Splitter: 50 MHz to 2150MHz



DIV16B2A-2412 is a 16-way active splitter covering IF, and L-band (50 to 2150MHz) and passes 10MHz. It is built with an integral regulator and requires a DC voltage within 8 to 18V. All RF ports are DC blocked.

This component is available with the following RF connector options: 50 Ω SMA, N-type, BNC and 75 Ω BNC or F-type.

Summary table for RF performance over 50 MHz to 2150 MHz

Model Numbers	Conn.	Gain (dB)	Gain flatness	1dB GCP		NF (dB)		Return Loss (dB)	
				Typical	Min	Typical	Max	Typical	Min
DIV16B2A-2414-S5S5	50Ω SMA	0 ± 2	± 1.5	0	-3	10	14	16	12
DIV16B2A-2414-N5N5	50Ω N-type	0 ± 2	± 1.8	0	-3	10	14	15	12
DIV16B2A-2414-B5B5	50Ω BNC	0 ± 2	±2.0	0	-3	10	14	14	10
DIV16B2A-2414-B7B7	75Ω BNC	0 ± 2	±2.2	0	-3	10	14	12	10
DIV16B2A-2414-F7F7	75Ω F-type	0 ± 2.5	±2.5	0	-3	10	14	10	7

1dB Gain Compression Point (1dB GCP) is in relation to output power.

Maximum current consumption is 300mA, typically 240mA.

Isolation: Isolation between any 2 output ports is typically 20dB .

Isolation: Isolation (reverse gain) between the common port and any of the output ports is typically 35dB.

10MHz Insertion loss is 0 ± 3dB

Maximum acceptable operating parameters for reliable and safe operation

Parameter	Value	Comment
Input RF power	+20 dBm	Max total RF power
DC Voltage	18 V	Any RF port
Operating temperature	0 to 45 C	Indoor use only
Storage Temperature	-20 C to +75 C	
Humidity	85%	Non-condensing

! Operation beyond these limits may cause instantaneous and permanent damage.

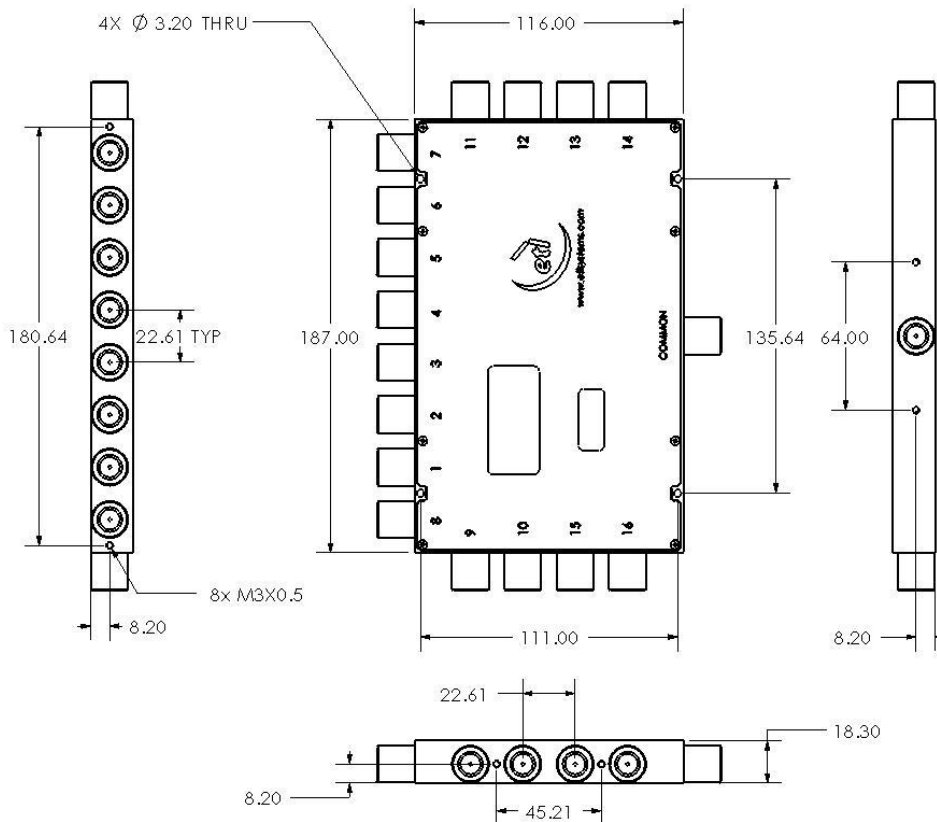
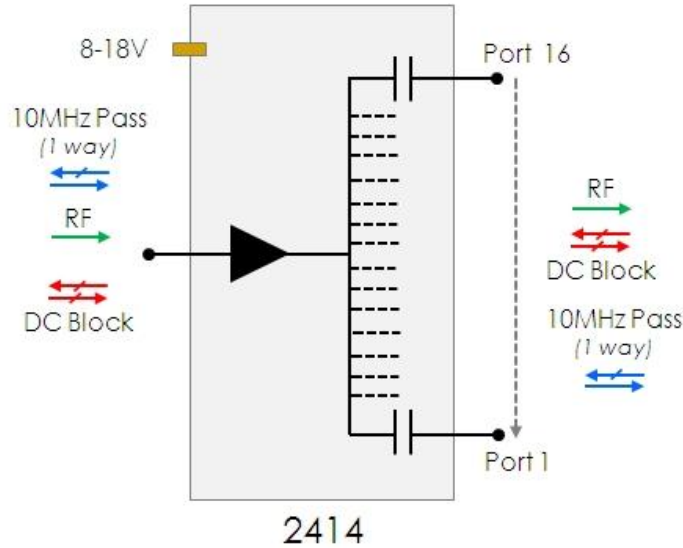


DIV16B2A-2414

16-way L-band Active Splitter: 50 MHz to 2150MHz

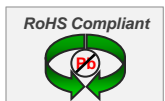


Vector diagram & physical dimensions



ETL Systems Ltd, Coldwell Radio Station, Madley, Hereford, HR2 9NE, England

ETL Systems design, develop and manufacture specialist equipment for satellite ground stations. For a full description of the ETL product range, please see our website at www.etlsystems.com. This product range provides the basis for meeting your specific demands.



Tel +44 (0)1981 259020
 Fax +44 (0)1981 259021
info@etlsystems.com

DIV16B2A-2414

16-way L-band Active Splitter: 50 MHz to 2150MHz



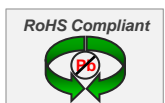
Alternative 16-way Active Splitters

Model Number	Gain / Frequency Response	Other Features
DIV16F1A-2413	Unity gain / flat response	Extended frequency range: 50 to 2800MHz & 10MHz pass
DIV16B2A-2414	Unity gain / flat response	Extended frequency range: 50 to 2150MHz & 10MHz pass



ETL Systems Ltd, Coldwell Radio Station, Madley, Hereford, HR2 9NE, England

ETL Systems design, develop and manufacture specialist equipment for satellite ground stations. For a full description of the ETL product range, please see our website at www.etlsystems.com. This product range provides the basis for meeting your specific demands.



Tel +44 (0)1981 259020
Fax +44 (0)1981 259021
info@etlsystems.com