

## 4-way Passive C-band Splitter/Combiner



COM04C1P-2586 is a 4-way passive C-band (3.5 to 4.2GHz) splitter/combiner with DC block on all ports

This component is available with the following RF connector options: 50  $\Omega$  SMA & 50  $\Omega$  N-type.

Summary table for RF performance over C-band operation, 3.5GHz to 4.2GHz

Model Numbers	Conn.	Insertion Loss* (dB)		Isolation Typical (dB)	Return Loss (dB)		Phase & Amplitude Misalignment	
		Typ.	Max		Typ.	Min	$\Phi$	Amp(dB)
COM04C1P-2586-S5S5	50 $\Omega$ SMA	1.2	2.0	23	16	10	2°	0.15
COM04C1P-2586-N5N5	50 $\Omega$ N-type	1.6	2.5	20	15	10	2°	0.15

\* The quoted insertion loss is loss above theoretical due to power split. For 4-way splitters theoretical value is 6dB.

Maximum acceptable operating parameters for reliable and safe operation

Parameter	Value	Comment
Input RF power	+37 dBm (5W)	Max total RF power
DC Voltage	50V	
Operating temperature	0 to 45 C	Indoor use only
Storage Temperature	-20 C to +75 C	
Humidity	85%	Non-condensing

**!** Operation beyond these limits may cause instantaneous and permanent damage.

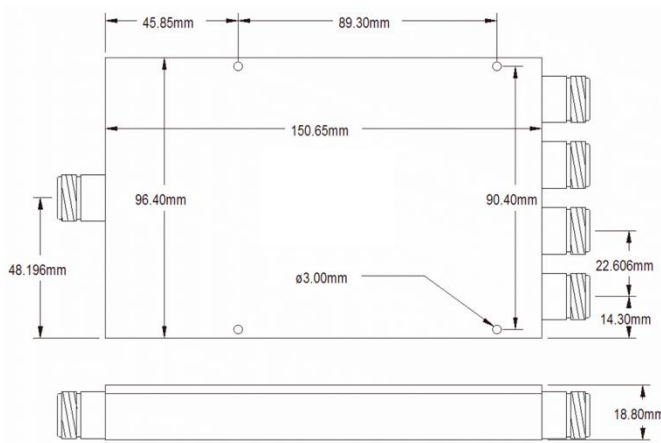
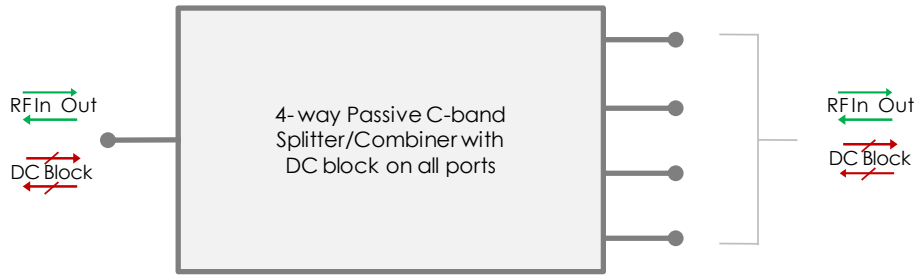


# COM04C1P-2586

4-way Passive C-band Splitter/Combiner



## Vector diagram & physical dimensions



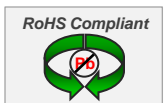
## Feature set for alternative 4-way Passive C-band splitters/combiners

Model Number	Frequency	DC Pass/Block
COM04C4P-2553	2.0-4.2 GHz	DC pass on ALL ports
COM04C4P-2585	2.0-4.2 GHz	DC pass on ONE output, DC block on all other outputs
COM04C4P-2589	2.0-4.2 GHz	DC block on ALL ports
COM04C1P-2550	3.5-4.2 GHz	DC pass on ALL ports
COM04C1P-2586	3.5-4.2 GHz	DC block on ALL ports
COM04C3P-2552	3.5-6.5 GHz	DC pass on ALL ports
COM04C3P-2588	3.5-6.5 GHz	DC block on ALL ports
COM04C2P-2551	5.9-6.5 GHz	DC pass on ALL ports
COM04C2P-2587	5.9-6.5 GHz	DC block on ALL ports



ETL Systems Ltd, Coldwell Radio Station, Madley, Hereford, HR2 9NE, England

ETL Systems design, develop and manufacture specialist equipment for satellite ground stations. For a full description of the ETL product range, please see our website at [www.etlsystems.com](http://www.etlsystems.com). This product range provides the basis for meeting your specific demands.



Tel +44 (0)1981 259020  
 Fax +44 (0)1981 259021  
[info@etlsystems.com](mailto:info@etlsystems.com)