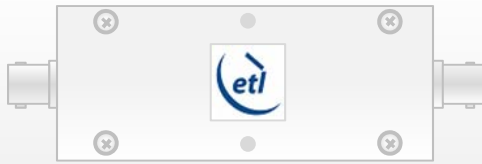


## L-band Passive Equalisers

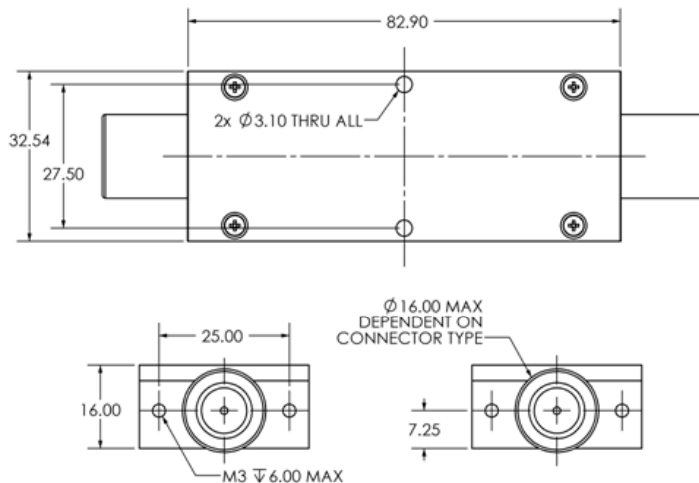
75Ω impedance range



The 4511-4520 Series of passive L-band (850-2150MHz) frequency equalisers offer 75Ω impedance, with DC block, and positive slope options of 1 to 10dB.

These components are available with the following RF connector options: 75 Ω BNC and F-type.

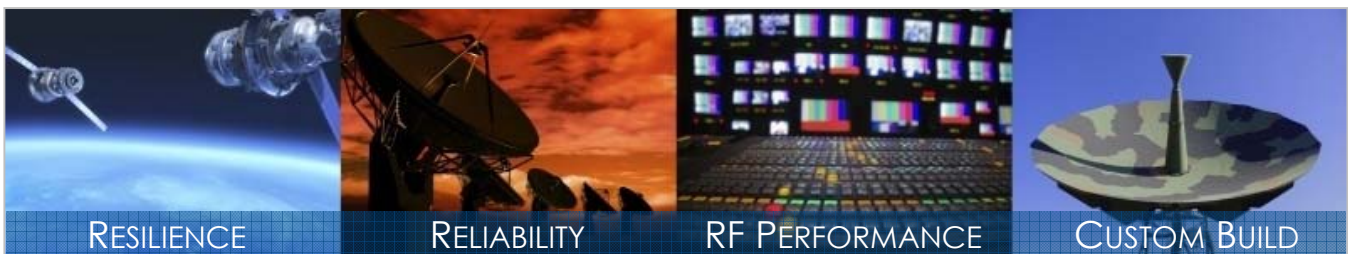
### Physical dimensions and appearance



### Maximum acceptable operating parameters for reliable and safe operation

Parameter	Value	Comment
Input RF power	+37 dBm (5W)	Max total RF power
DC Rating	28V	All RF ports are DC blocked
Operating temperature	0 to 65°C	Indoor use only
Storage Temperature	-20°C to +75°C	
Humidity	90%	Non-condensing

**!** Operation beyond these limits may cause instantaneous and permanent damage.



RESILIENCE

RELIABILITY

RF PERFORMANCE

CUSTOM BUILD

### Typical performance - L-band passive equalisers

Model Number	Positive slope (dB)	Slope vs. Frequency variation (dB)	Insertion Loss* (dB)		Return Loss (dB)	
			Typ.	Max	Typ.	Min

#### EQUL1P-4511

EQUL1P-4511-B7B7	1	±0.3	2.0	3.5	12	8
EQUL1P-4511-F7F7	1	±0.3	2.0	3.5	10	6

#### EQUL1P-4512

EQUL1P-4512-B7B7	2	±0.5	3.0	4.0	12	8
EQUL1P-4512-F7F7	2	±0.5	3.0	4.0	10	6

#### EQUL1P-4513

EQUL1P-4513-B7B7	3	±0.8	3.0	5.0	14	8
EQUL1P-4513-F7F7	3	±0.8	3.0	5.0	12	8

#### EQUL1P-4514

EQUL1P-4514-B7B7	4	±1.0	4.0	6.0	14	8
EQUL1P-4514-F7F7	4	±1.0	4.0	6.0	12	8

#### EQUL1P-4515

EQUL1P-4515-B7B7	5	±1.2	5.0	6.5	14	8
EQUL1P-4515-F7F7	5	±1.2	5.0	6.5	12	8

#### EQUL1P-4516

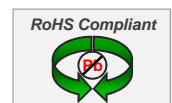
EQUL1P-4516-B7B7	6	±1.5	5.5	7.5	14	8
EQUL1P-4516-F7F7	6	±1.5	5.5	7.5	12	8

\* Mid-band insertion loss



ETL Systems Ltd, Coldwell Radio Station, Madley, Hereford, HR2 9NE, England

ETL Systems design, develop and manufacture specialist equipment for satellite ground stations. For a full description of the ETL product range, please see our website at [www.etlsystems.com](http://www.etlsystems.com). This product range provides the basis for meeting your specific demands.



Tel +44 (0)1981 259020  
 Fax +44 (0)1981 259021  
[info@etlsystems.com](mailto:info@etlsystems.com)

### Typical performance - L-band passive equalisers

Model Number	Positive slope (dB)	Slope vs. Frequency variation (dB)	Insertion Loss* (dB)		Return Loss (dB)	
			Typ.	Max	Typ.	Min

#### EQUL1P-4517

EQUL1P-4517-B7B7	7	±1.5	5.5	8.0	12	8
EQUL1P-4517-F7F7	7	±1.5	5.5	8.0	10	8

#### EQUL1P-4518

EQUL1P-4518-B7B7	8	±1.7	6.0	8.5	12	8
EQUL1P-4518-F7F7	8	±1.7	6.0	8.5	10	8

#### EQUL1P-4519

EQUL1P-4519-B7B7	9	±2.0	6.5	9.0	12	8
EQUL1P-4519-F7F7	9	±2.0	6.5	9.0	10	8

#### EQUL1P-4520

EQUL1P-4520-B7B7	10	±2.0	6.5	9.0	10	8
EQUL1P-4520-F7F7	10	±2.0	6.5	9.0	8	8

\* Mid-band insertion loss

### ETL's L-band passive frequency equalisers range

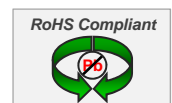
Model Number	Positive Slope Range	RF Connector Impedance	Other features
EQUL1P-4501 to 4510	1 to 10dB	50Ω	DC block
EQUL1P-4511 to 4520	1 to 10dB	75Ω	DC block
EQUL1P-4521 to 4530	1 to 10dB	50Ω	DC pass
EQUL1P-4511 to 4520	1 to 10dB	75Ω	DC pass

**Please note:** custom products are available. Please contact us with your enquiry



ETL Systems Ltd, Coldwell Radio Station, Madley, Hereford, HR2 9NE, England

ETL Systems design, develop and manufacture specialist equipment for satellite ground stations. For a full description of the ETL product range, please see our website at [www.etlsystems.com](http://www.etlsystems.com). This product range provides the basis for meeting your specific demands.



Tel +44 (0)1981 259020  
 Fax +44 (0)1981 259021  
[info@etlsystems.com](mailto:info@etlsystems.com)