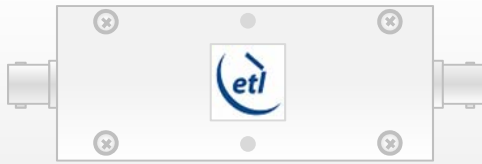


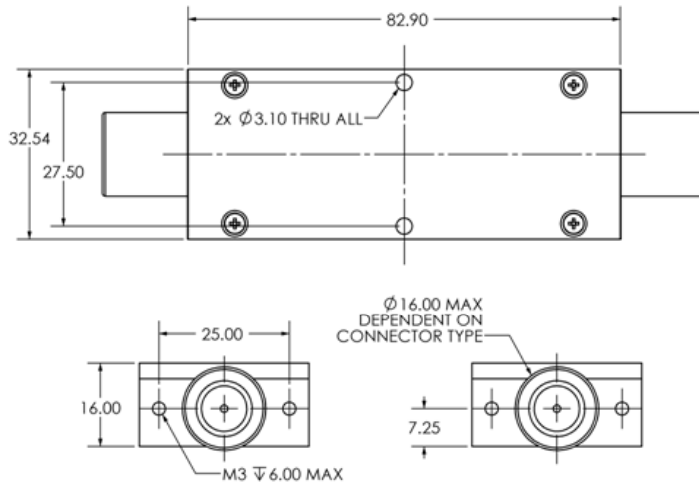
L-band Passive Equalisers

50Ω impedance range



The 4501-4510 Series of passive L-band (850-2150MHz) frequency equalisers offer 50Ω impedance, with DC block, and positive slope options of 1 to 10dB. These components are available with the following RF connector options: 50 Ω SMA, N-type and BNC.

Physical dimensions and appearance



Maximum acceptable operating parameters for reliable and safe operation

Parameter	Value	Comment
Input RF power	+37 dBm (5W)	Max total RF power
DC Rating	28V	All RF ports are DC blocked
Operating temperature	0 to 65°C	Indoor use only
Storage Temperature	-20°C to +75°C	
Humidity	90%	Non-condensing

! Operation beyond these limits may cause instantaneous and permanent damage.



EQUL1P-4501 to 4510

L-band Passive Equaliser



Typical performance - L-band passive equalisers

Model Number	Positive slope (dB)	Slope vs. Frequency variation (dB)	Insertion Loss* (dB)		Return Loss (dB)	
			Typ.	Max	Typ.	Min

EQUL1P-4501

EQUL1P-4501-S5S5	1	±0.3	2.0	3.0	16	12
EQUL1P-4501-N5N5	1	±0.3	2.0	3.0	16	12
EQUL1P-4501-B5B5	1	±0.3	2.0	3.0	14	10

EQUL1P-4502

EQUL1P-4502-S5S5	2	±0.4	2.5	3.5	16	12
EQUL1P-4502-N5N5	2	±0.4	2.5	3.5	16	12
EQUL1P-4502-B5B5	2	±0.4	2.5	3.5	14	10

EQUL1P-4503

EQUL1P-4503-S5S5	3	±0.5	3.0	4.0	18	12
EQUL1P-4503-N5N5	3	±0.5	3.0	4.0	18	12
EQUL1P-4503-B5B5	3	±0.5	3.0	4.2	16	10

EQUL1P-4504

EQUL1P-4504-S5S5	4	±0.6	4.0	4.5	18	14
EQUL1P-4504-N5N5	4	±0.6	4.0	4.5	18	14
EQUL1P-4504-B5B5	4	±0.6	4.0	4.5	16	12

EQUL1P-4505

EQUL1P-4505-S5S5	5	±0.8	5.0	6.0	18	14
EQUL1P-4505-N5N5	5	±0.8	5.0	6.0	18	14
EQUL1P-4505-B5B5	5	±0.8	5.0	6.5	16	12

EQUL1P-4506

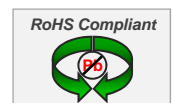
EQUL1P-4506-S5S5	6	±1.0	5.5	6.5	18	14
EQUL1P-4506-N5N5	6	±1.0	5.5	6.5	18	14
EQUL1P-4506-B5B5	6	±1.0	5.5	7.0	16	12

* Mid-band insertion loss



ETL Systems Ltd, Coldwell Radio Station, Madley, Hereford, HR2 9NE, England

ETL Systems design, develop and manufacture specialist equipment for satellite ground stations. For a full description of the ETL product range, please see our website at www.etlsystems.com. This product range provides the basis for meeting your specific demands.



Tel +44 (0)1981 259020
 Fax +44 (0)1981 259021
info@etlsystems.com

V 2.0 E&OE

Typical performance - L-band passive equalisers

Model Number	Positive slope (dB)	Slope vs. Frequency variation (dB)	Insertion Loss* (dB)		Return Loss (dB)	
			Typ.	Max	Typ.	Min

EQUL1P-4507

EQUL1P-4507-S5S5	7	±1.0	5.5	7.0	18	14
EQUL1P-4507-N5N5	7	±1.0	5.5	7.0	18	14
EQUL1P-4507-B5B5	7	±1.0	5.5	7.5	18	12

EQUL1P-4508

EQUL1P-4508-S5S5	8	±1.0	6.0	7.5	18	15
EQUL1P-4508-N5N5	8	±1.0	6.0	7.5	18	15
EQUL1P-4508-B5B5	8	±1.0	6.0	8.0	18	13

EQUL1P-4509

EQUL1P-4509-S5S5	9	±1.5	6.5	8.0	20	15
EQUL1P-4509-N5N5	9	±1.5	6.5	8.0	20	15
EQUL1P-4509-B5B5	9	±1.5	6.5	8.0	18	13

EQUL1P-4510

EQUL1P-4510-S5S5	10	±1.5	6.5	8.5	20	15
EQUL1P-4510-N5N5	10	±1.5	6.5	8.5	20	15
EQUL1P-4510-B5B5	10	±1.5	6.5	8.5	18	13

* Mid-band insertion loss

ETL's L-band passive frequency equalisers range

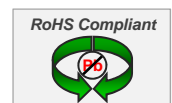
Model Number	Positive Slope Range	RF Connector Impedance	Other features
EQUL1P-4501 to 4510	1 to 10dB	50Ω	DC block
EQUL1P-4511 to 4520	1 to 10dB	75Ω	DC block
EQUL1P-4521 to 4530	1 to 10dB	50Ω	DC pass
EQUL1P-4531 to 4540	1 to 10dB	75Ω	DC pass

Please note: custom products are available. Please contact us with your enquiry



ETL Systems Ltd, Coldwell Radio Station, Madley, Hereford, HR2 9NE, England

ETL Systems design, develop and manufacture specialist equipment for satellite ground stations. For a full description of the ETL product range, please see our website at www.etlsystems.com. This product range provides the basis for meeting your specific demands.



Tel +44 (0)1981 259020
 Fax +44 (0)1981 259021
info@etlsystems.com