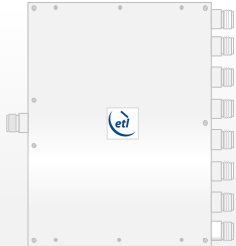




8-way Passive L-band Splitter/Combiner



COM08L1P-2591 is a 8-way passive L-band splitter/combiner with DC and 10MHz block on all ports

This component is available with the following RF connector options: 50 Ω SMA, N-type, BNC and 75 Ω BNC or F-type.

Summary table for RF performance over L-band operation, 850 MHz to 2150MHz

Model Numbers	Conn.	Insertion Loss* (dB)		Isolation Typical (dB)	Return Loss (dB)		Phase & Amplitude Misalignment	
		Typ.	Max		Typ.	Min	Φ	Amp(dB)
COM08L1P-2591-S5S5	50Ω SMA	1.5	2.2	25	20	14	1.5	0.2
COM08L1P-2591-N5N5	50Ω N-type	1.5	2.2	23	18	13	1.5	0.3
COM08L1P-2591-B5B5	50Ω BNC	1.6	2.5	21	15	10	1.5	0.3
COM08L1P-2591-B7B7	75Ω BNC	1.8	2.9	21	15	10	2.0°	0.4
COM08L1P-2591-F7F7	75Ω F-type	2.0	3.1	18	12	8	2.5°	0.5

* The quoted insertion loss is loss above theoretical due to power split. For 8-way splitters theoretical value is 9dB. 10 MHz rejection is typically 25dB, minimum is 20dB. Typical values may vary between different production batches.

Maxim 10 MHz rejection is typically 25dB, minimum is 20dB. Typical values may vary between different production batches. [um acceptable operating parameters for reliable and safe operation](#)

Parameter	Value	Comment
Input RF power	+37 dBm (5W)	Max total RF power
DC Voltage	50V	Any RF port
Operating temperature	0 to 45°C	Indoor use only
Storage Temperature	-20°C to +75°C	
Humidity	85%	Non-condensing

! Operation beyond these limits may cause instantaneous and permanent damage.

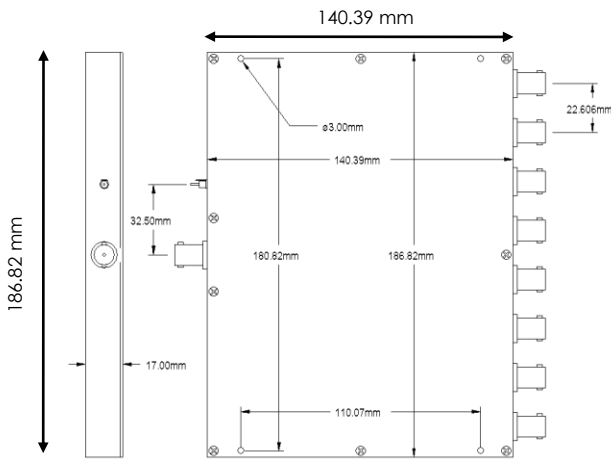
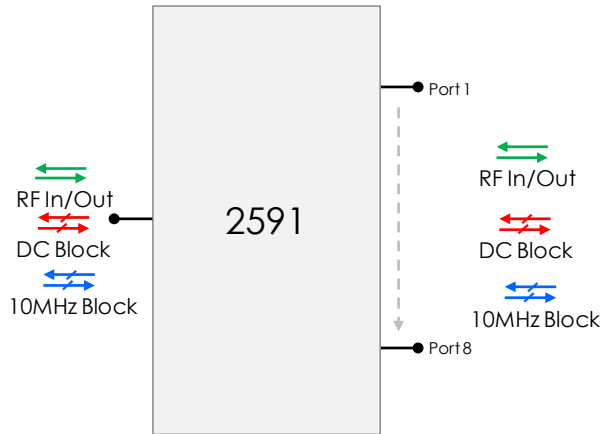


COM08L1P-2591

8-way Passive L-band Splitter/Combiner



Vector diagram & physical dimensions



N.B: The housing and fixing holes may vary from time to time. This would be to expedite delivery by using an alternative suitable, similar housing. If this is a concern please advise with your order.

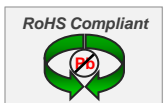
Feature set for some alternative 8-way Passive L-band splitters/combiners

Model Number	DC Pass/Block	10 MHz Pass/Block	Other features
COM08L1P-2508	DC pass on ALL ports	10MHz pass on ALL ports	
COM08L1P-2529	DC block on ALL ports		
COM08L1P-2533	DC block on seven output ports , DC pass to common on ONE port only		
COM08L1P-2544	DC block on ALL ports	10MHz pass on ALL ports	
COM08L1P-2564	DC block on seven output ports , DC pass to common on ONE port only	10MHz block on seven output ports , 10MHz pass to common on ONE port only	
COM08L2P-2519			Integrated coupler
COM08L2P-2591	DC block on ALL ports	10MHz block on ALL ports	25dB 10MHz rejection



ETL Systems Ltd, Coldwell Radio Station, Madley, Hereford, HR2 9NE, England

ETL Systems design, develop and manufacture specialist equipment for satellite ground stations. For a full description of the ETL product range, please see our website at www.etlsystems.com. This product range provides the basis for meeting your specific demands.



Tel +44 (0)1981 259020
 Fax +44 (0)1981 259021
info@etlsystems.com