



4-way L-band Active Splitter



DIV04L1A-2322 is a 4-way active L-band splitter with unity gain and flat frequency response. It requires 8-18V external DC bias. All RF ports are DC blocked.

This component is available with the following RF connector options: 50 Ω SMA, N-type, BNC and 75 Ω BNC or F-type.

Summary table for RF performance 850 MHz to 2150 MHz

Model Numbers	Conn.	Gain (dB)	Gain flatness	1dB GCP		NF (dB)		Return Loss (dB)	
				Typical	Min	Typical	Max	Typical	Min
DIV04L1A-2322-S5S5	50Ω SMA	1±1.5	±1.0	5	1	5	7	18	14
DIV04L1A-2322-N5N5	50Ω N-type	1±1.5	±1.2	5	1	5	7	16	12
DIV04L1A-2322-B5B5	50Ω BNC	1±1.5	±1.05	5	1	5	7	15	10
DIV04L1A-2322-B7B7	75Ω BNC	1±1.5	±1.5	5	1	6	8	15	10
DIV04L1A-2322-F7F7	75Ω F-type	1±2.5	±2.0	5	0	6	8	12	8

1 dB Gain Compression Point (1dB GCP) is in relation to output power.
 Maximum current consumption is 100mA, typically 80mA.
 Isolation: Isolation between any 2 output ports is typically 25dB .

Maximum acceptable operating parameters for reliable and safe operation

Parameter	Value	Comment
Input RF power	+16 dBm	Max total RF power
DC Voltage	24 V	Any RF port
Operating temperature	0 to 45 C	Indoor use only
Storage Temperature	-20 C to +75 C	
Humidity	85%	Non-condensing
Altitude	10,000 feet	Above Mean See level

! Operation beyond these limits may cause instantaneous and permanent damage.

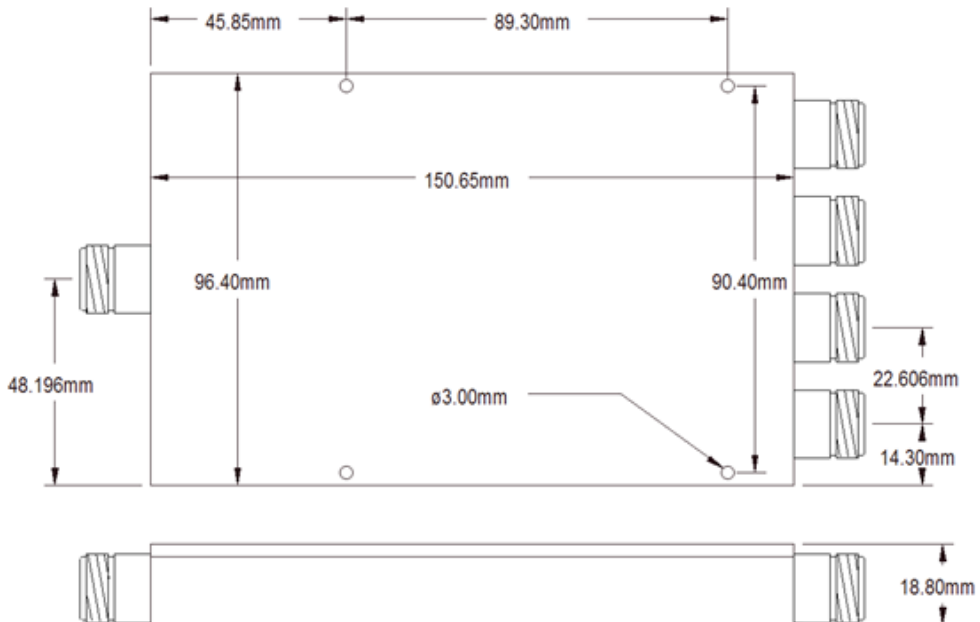
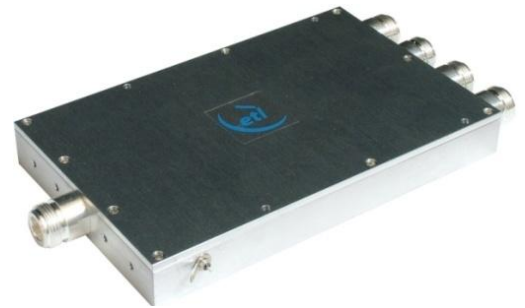
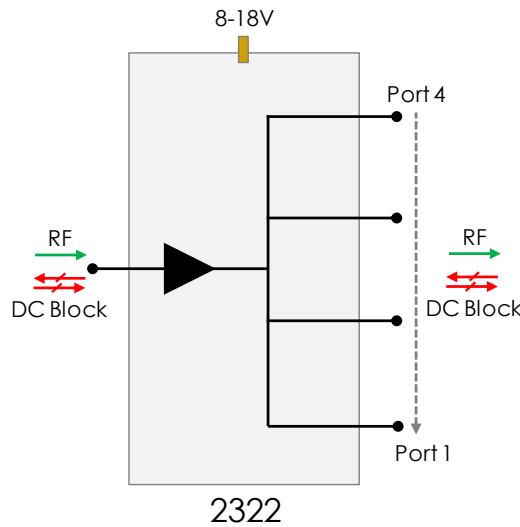


DIV04L1A-2322

4-way Active L-band Splitter

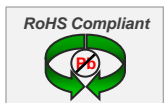


Vector diagram & physical dimensions



ETL Systems Ltd, Coldwell Radio Station, Madley, Hereford, HR2 9NE, England

ETL Systems design, develop and manufacture specialist equipment for satellite ground stations. For a full description of the ETL product range, please see our website at www.etlsystems.com. This product range provides the basis for meeting your specific demands.



Tel +44 (0)1981 259020
Fax +44 (0)1981 259021
info@etlsystems.com

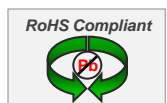
Selected alternative 4-way Active Splitters (models with additional features in brackets)

Model Number	Gain / Frequency Response	Other Features
DIV04L1A-2304	6dB flat gain	DC block on all ports.
DIV04L1A-2322 (2343)	Unity gain / flat response	(2343 has LNB injection)
DIV04L1A-2336	Unity gain / flat response	10MHz/DC pass on all ports, DC block between outputs
DIV04L1A-2339 (2341)	Unity gain / flat response	10MHz/DC pass on all ports with 5V regulation (2341 with no regulation)
DIV04L1A-2344	0dB gain / flat response	10MHz pass on all ports . Auto-changeover dual redundant amplifiers & LNB injection
DIV04L1A-2351	Unity gain / flat response	10MHz pass on OUTER ports and DC block on all. With regulator & LNB injection
DIV04L1A-2314 (2325)	6dB flat gain	S-band (2325 has DC injection)
DIV04L1A-2385		10MHz/DC pass on ONE port. In-line DC bias
DIV04F1A-2405	Unity gain / flat response	Extended frequency range:50 to 2800MHz & 10 MHz pass
DIV04B1A-2406	Unity gain / flat response	Extended frequency range:50 to 2800MHz & 10 MHz pass



ETL Systems Ltd, Coldwell Radio Station, Madley, Hereford, HR2 9NE, England

ETL Systems design, develop and manufacture specialist equipment for satellite ground stations. For a full description of the ETL product range, please see our website at www.etlsystems.com. This product range provides the basis for meeting your specific demands.



Tel +44 (0)1981 259020
 Fax +44 (0)1981 259021
info@etlsystems.com