

## 10dB L-band Proximity Coupler



10dB L-band proximity coupler with DC and 10MHz pass between input and transmit ports. The coupled port is DC blocked.

This component is available with the following RF connector options: 50  $\Omega$  SMA, N-type, BNC and 75  $\Omega$  BNC or F-type.

Summary table for RF performance over L-band operation, 850 MHz to 2150 MHz

Model Numbers	RF Ports	Thru Path Insertion Loss (dB)		Coupling Factor Typical (dB)	Return Loss (dB)		Directivity (dB)
		Typical	Max		Typical	Min	
CPL10L1P-4305-S5S5	50 $\Omega$ SMA	1.0	1.5	10 $\pm$ 1	20	15	n/a
CPL10L1P-4305-N5N5	50 $\Omega$ N-type	1.0	1.5	10 $\pm$ 1	18	14	n/a
CPL10L1P-4305-B5B5	50 $\Omega$ BNC	1.0	1.5	10 $\pm$ 1	18	14	n/a
CPL10L1P-4305-B7B7	75 $\Omega$ BNC	1.0	1.5	10 $\pm$ 1	16	12	n/a
CPL10L1P-4305-F7F7	75 $\Omega$ F-type	1.0	1.5	10 $\pm$ 1	15	10	n/a

Maximum acceptable operating parameters for reliable and safe operation

Parameter	Value	Comment
Input RF power	+37 dBm (5W)	Max total RF power
DC Voltage	50V	Any RF port
DC Current	3.5A max	5A max if N-type connectors
Operating temperature	0 to 45°C	Indoor use only
Storage Temperature	-20°C to +75°C	
Humidity	85%	Non-condensing

**!** Operation beyond these limits may cause instantaneous and permanent damage.

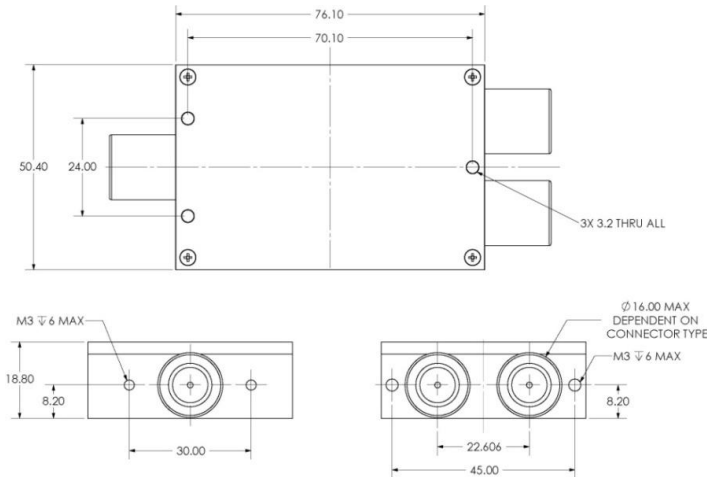
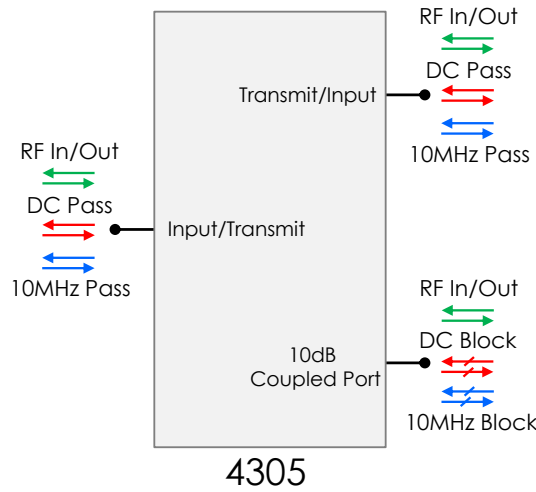


# CPL10L1P-4305

10 dB L-band Proximity Coupler



## Vector diagram & physical dimensions



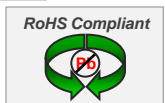
## Feature set for alternative L band couplers and DC blocks

Model Number	DC Pass/Block	Other features
CPL20-L1P-4301	DC block on ALL ports	20dB proximity coupler
CPL10-L1P-4303	DC block on ALL ports	10dB proximity coupler
CPL20-L1P-4304	Thru port - DC pass Coupled port - DC blocked	20dB proximity coupler
CPL10-L1P-4305	Thru port - DC pass Coupled port - DC blocked	10dB proximity coupler
CPL20-L1P-4306	Thru port - DC pass Coupled port - DC blocked	20dB directional coupler
CPL10 L1P-4307	Thru port - DC pass Coupled port - DC blocked	10dB directional coupler
DCBLK-L1-4302	DC block with L-band and 10MHz pass	10 MHz to 2500MHz DC block
DCBLK-L1-4308	DC & 10 MHz block	



ETL Systems Ltd, Coldwell Radio Station, Madley, Hereford, HR2 9NE, England

ETL Systems design, develop and manufacture specialist equipment for satellite ground stations. For a full description of the ETL product range, please see our website at [www.etlsystems.com](http://www.etlsystems.com). This product range provides the basis for meeting your specific demands.



Tel +44 (0)1981 259020  
Fax +44 (0)1981 259021  
[info@etlsystems.com](mailto:info@etlsystems.com)