

L-band DC Block with 10 MHz Pass



DCBLKL1-4302 is an L-band DC block with 10MHz pass.

This component is available with the following RF connector options: 50 Ω SMA, N-type, BNC and 75 Ω BNC or F-type.

Summary table for RF performance over L-band operation, 850 MHz to 2500 MHz

Model Numbers	RF Ports	Thru Path Insertion Loss* (dB)		Return Loss (dB)	
		Typical	Max	Typical	Min
DCBLKL1-4302-S5S5	50Ω SMA	0.5	1	20	15
DCBLKL1-4302-N5N5	50Ω N-type	0.5	1	18	14
DCBLKL1-4302-B5B5	50Ω BNC	0.5	1	18	14
DCBLKL1-4302-B7B7	75Ω BNC	0.5	1	16	12
DCBLKL1-4302-F7F7	75Ω F-type	0.5	1	15	10

* 10MHz insertion loss is typically 25 to 30dB.

Maximum acceptable operating parameters for reliable and safe operation

Parameter	Value	Comment
Input RF power	+37 dBm (5W)	Max total RF power
DC Voltage	50V	Any RF port
Operating temperature	0 to 45 C	Indoor use only
Storage Temperature	-20 C to +75 C	
Humidity	85%	Non-condensing

! Operation beyond these limits may cause instantaneous and permanent damage.

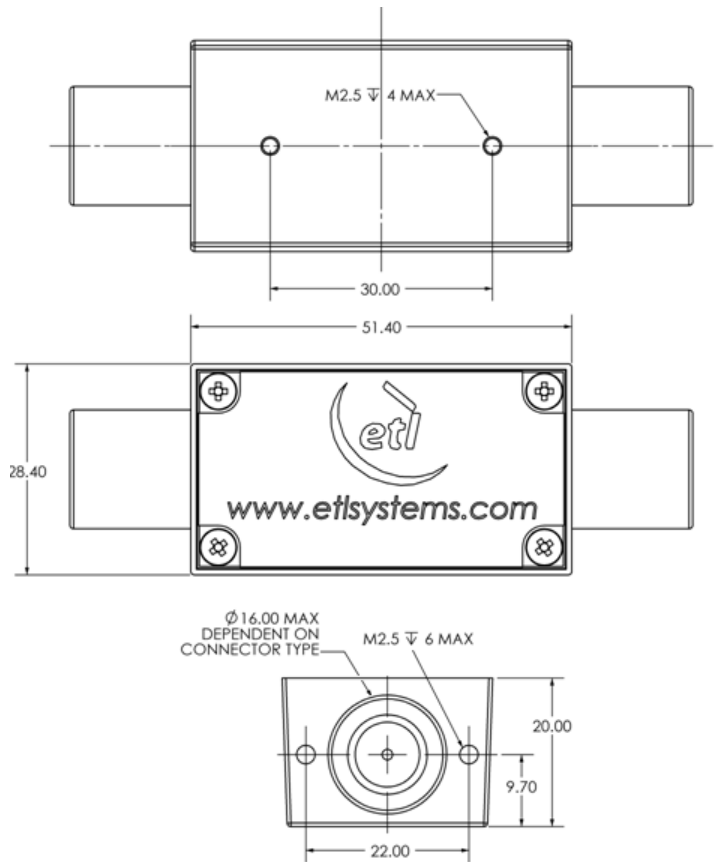
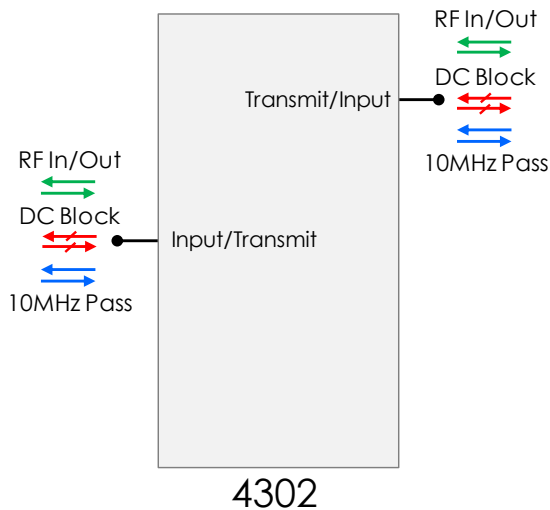


DCBLKL1-4302

L-band DC Block with 10 MHz pass



Vector diagram & physical dimensions



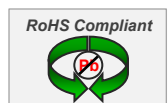
L-band DC block product range

Model Number	DC Pass/Block	Other features
DCBLK-L1-4302	DC block with L-band and 10MHz pass	10 MHz to 2500MHz DC block
DCBLK-L1-4308	DC & 10 MHz block	10 MHz to 2500MHz DC block



ETL Systems Ltd, Coldwell Radio Station, Madley, Hereford, HR2 9NE, England

ETL Systems design, develop and manufacture specialist equipment for satellite ground stations. For a full description of the ETL product range, please see our website at www.etlsystems.com. This product range provides the basis for meeting your specific demands.



Tel +44 (0)1981 259020
 Fax +44 (0)1981 259021
info@etlsystems.com