

## 4-way Passive S-band Splitter/Combiner



COM04S1P-2583 is a 4-way passive S-band splitter/combiner with DC block on all ports.

This component is available with the following RF connector options: 50  $\Omega$  SMA and N-type RF connectors.

Summary table for RF performance over S-band operation, 500 MHz to 2500 MHz

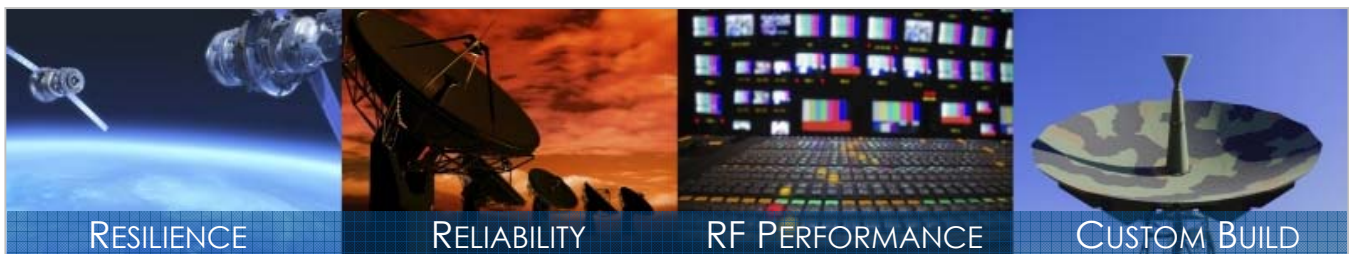
Model Numbers	RF Ports	Insertion Loss* (dB)		Isolation Typical (dB)	Return Loss (dB)		Phase & Amplitude Misalignment	
		Typ.	Max		Typ.	Min	$\Phi$	Amp(dB)
COM04S1P-2583-S5S5	50 $\Omega$ SMA	1.5	2.5	18	18	10	1°	0.2
COM04S1P-2583-N5N5	50 $\Omega$ N-type	1.5	2.5	18	18	10	1°	0.2

\* The quoted insertion loss is loss above theoretical due to power split. For 4-way splitters theoretical value is 6dB.

Maximum acceptable operating parameters for reliable and safe operation

Parameter	Value	Comment
Input RF power	+37 dBm (5W)	Max total RF power
DC Voltage	50V	Any RF port
Operating temperature	0 to 45°C	Indoor use only
Storage Temperature	-20°C to +75°C	
Humidity	85%	Non-condensing

**!** Operation beyond these limits may cause instantaneous and permanent damage.



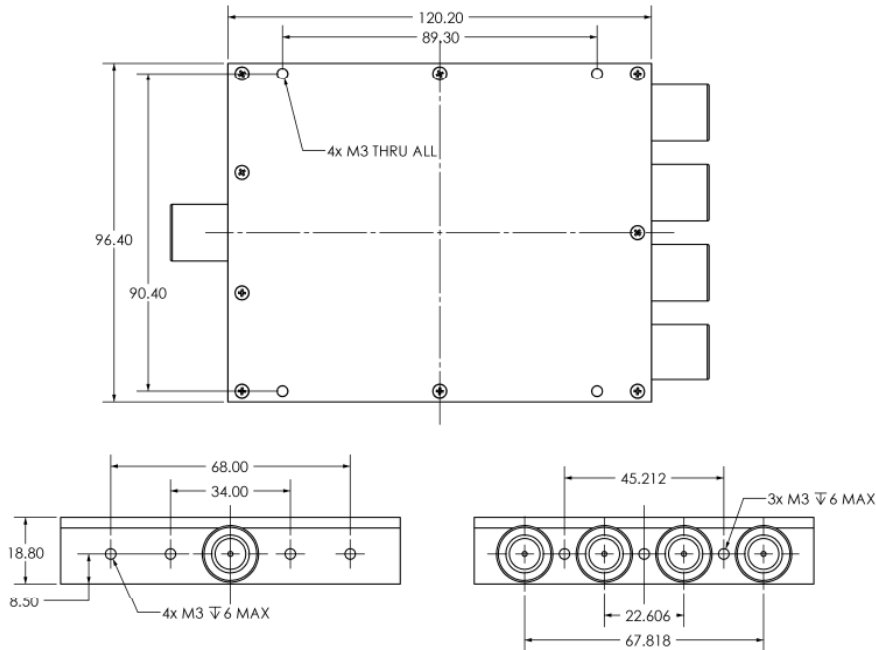
RESILIENCE

RELIABILITY

RF PERFORMANCE

CUSTOM BUILD

### Vector diagram & physical dimensions



### Feature set for some alternative 4-way Passive S-band splitters/combiners

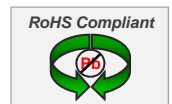
Model Number	DC Pass/Block	Frequency
COM04S1P-2572	DC pass on ALL ports	500 to 2500 MHz
COM04S2P-2525	DC block on all other ports	850 to 2500 MHz
COM04S1P-2583	DC block on all other ports	500 to 2500 MHz
COM04S2P-2584	DC pass on ALL ports	850 to 2500 MHz

See our L-band (850 to 2150 MHz) range of splitters and combiners for vast range of ETL components



ETL Systems Ltd, Coldwell Radio Station, Madley, Hereford, HR2 9NE, England

ETL Systems design, develop and manufacture specialist equipment for satellite ground stations. For a full description of the ETL product range, please see our website at [www.etlsystems.com](http://www.etlsystems.com). This product range provides the basis for meeting your specific demands.



Tel +44 (0)1981 259020  
 Fax +44 (0)1981 259021  
[info@etlsystems.com](mailto:info@etlsystems.com)