



4-way Passive S-band Splitter/Combiner



COM04S1P-2572 is a 4-way passive S-band splitter/combiner with 10MHz and DC pass on all ports.

This component is available with the following RF connector options: 50 Ω SMA and N-type RF ports.

Summary table for RF performance over S-band operation, 500 MHz to 2500 MHz

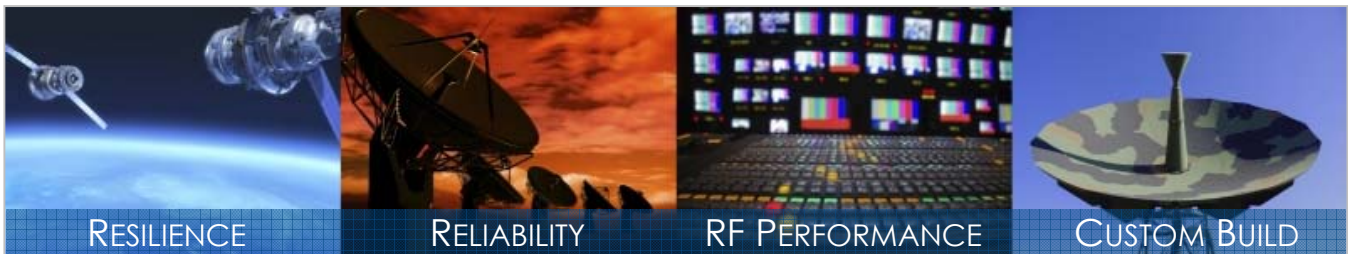
Model Numbers	RF Ports	Insertion Loss* (dB)		Isolation Typical (dB)	Return Loss (dB)		Phase & Amplitude Misalignment	
		Typ.	Max		Typ.	Min	Φ	Amp(dB)
COM04S1P-2572-S5S5	50Ω SMA	1.5	2.5	18	18	10	1°	0.2
COM04S1P-2572-N5N5	50Ω N-type	1.5	2.5	18	18	10	1°	0.2

* The quoted insertion loss is loss above theoretical due to power split. For 4-way splitters theoretical value is 6dB. 10 MHz insertion loss is 3dB max above the theoretical. Typical values may vary between different production batches.

Maximum acceptable operating parameters for reliable and safe operation

Parameter	Value	Comment
Input RF power	+37 dBm (5W)	Max total RF power
DC Voltage	50V / 5A	Any RF port : 3A Max if SMA or F type connector
Operating temperature	0 to 45°C	Indoor use only
Storage Temperature	-20°C to +75°C	
Humidity	85%	Non-condensing

! Operation beyond these limits may cause instantaneous and permanent damage.



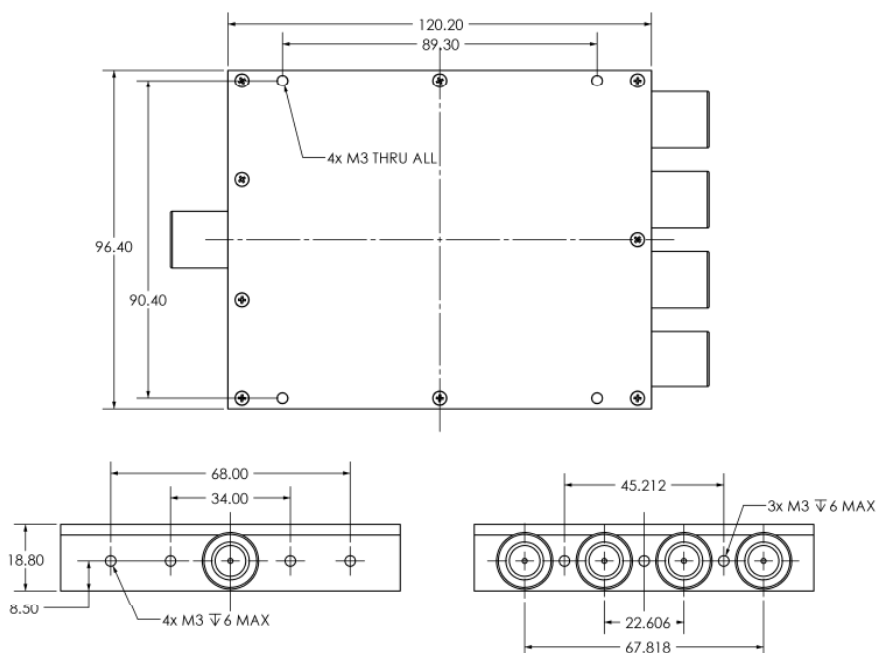
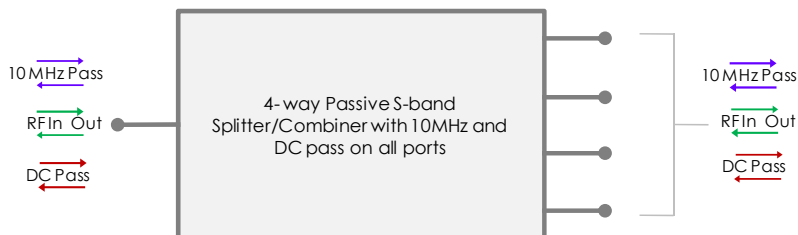
RESILIENCE

RELIABILITY

RF PERFORMANCE

CUSTOM BUILD

Vector diagram & physical dimensions



Feature set for some alternative 4-way Passive S-band splitters/combiners

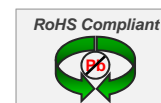
Model Number	DC Pass/Block	Frequency
COM04S1P-2572	DC pass on ALL ports	500 to 2500 MHz
COM04S2P-2525	DC block on all other ports	850 to 2500 MHz
COM04S1P-2583	DC block on all other ports	500 to 2500 MHz
COM04S2P-2584	DC pass on ALL ports	850 to 2500 MHz

See our L-band (850 to 2150 MHz) range of splitters and combiners for vast range of ETL components



ETL Systems Ltd, Coldwell Radio Station, Madley, Hereford, HR2 9NE, England

ETL Systems design, develop and manufacture specialist equipment for satellite ground stations. For a full description of the ETL product range, please see our website at www.etlsystems.com. This product range provides the basis for meeting your specific demands.



Tel +44 (0)1981 259020
 Fax +44 (0)1981 259021
info@etlsystems.com