

3-way Passive L-band Splitter/Combiner



COM03L1P-2573 is a 3-way passive L-band splitter/combiner with DC pass and 10MHz block on ports 1 and 3, and DC block and 10MHz pass on port 2.

This component is available with the following RF connector options: 50 Ω SMA, N-type, BNC and 75 Ω BNC or F-type.

Summary table for RF performance over L-band operation, 850 MHz to 2150 MHz

Model Numbers	Conn.	Insertion Loss* (dB)		Isolation Typical (dB)	Return Loss (dB)		Phase & Amplitude Misalignment	
		Typ.	Max		Typ.	Min	Φ	Amp(dB)
COM03L1P-2573-S5S5	50Ω SMA	0.6	1.0	23	18	14	2°	0.2
COM03L1P-2573-N5N5	50Ω N-type	0.7	1.1	23	18	14	2°	0.2
COM03L1P-2573-B5B5	50Ω BNC	0.8	1.2	20	15	12	3°	0.4
COM03L1P-2573-B7B7	75Ω BNC	1.0	1.4	20	14	10	5°	0.6
COM03L1P-2573-F7F7	75Ω F-type	1.5	2.3	18	10	6	5°	0.8

* The quoted insertion loss is loss above theoretical due to power split. For 3-way splitters theoretical value is 4.7dB. 10 MHz insertion loss is 3dB max above the theoretical. Typical values may vary between different production batches.

Maximum acceptable operating parameters for reliable and safe operation

Parameter	Value	Comment
Input RF power	+37 dBm (5W)	Max total RF power
DC Voltage	24V / 5A (48V max)	Any RF port
Operating temperature	0 to 45 C	Indoor use only
Storage Temperature	-20 C to +75 C	
Humidity	85%	Non-condensing

! Operation beyond these limits may cause instantaneous and permanent damage.



RESILIENCE

RELIABILITY

RF PERFORMANCE

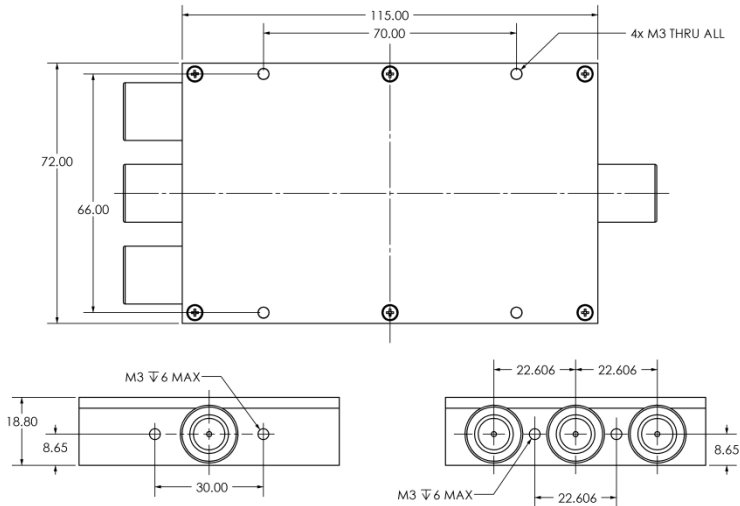
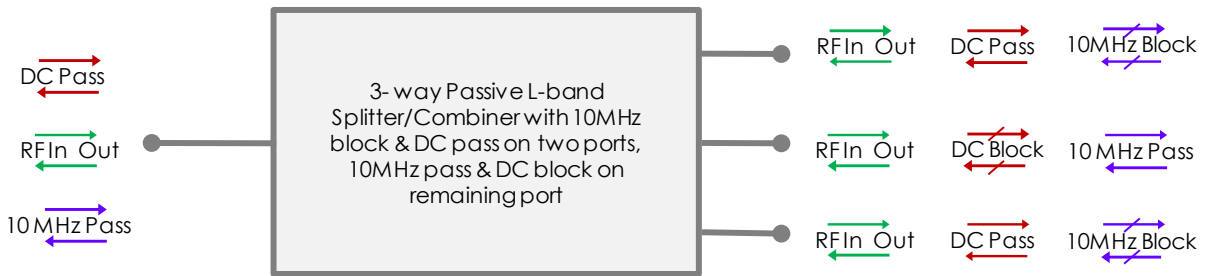
CUSTOM BUILD

COM03L1P-2573

3-way Passive L-band Splitter/Combiner



Vector diagram & physical dimensions



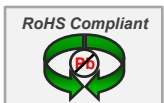
Feature set for alternative 3-way Passive L-band splitters/combiners

Model Number	DC Pass/Block	10 MHz Pass/Block	Other features
COM03L1P-2528	DC pass on ALL ports	10MHz pass on ALL ports	Customised options are available
COM03L1P-2555	DC block on ONE port		Customised options are available



ETL Systems Ltd, Coldwell Radio Station, Madley, Hereford, HR2 9NE, England

ETL Systems design, develop and manufacture specialist equipment for satellite ground stations. For a full description of the ETL product range, please see our website at www.etlsystems.com. This product range provides the basis for meeting your specific demands.



Tel +44 (0)1981 259020
 Fax +44 (0)1981 259021
info@etlsystems.com