

3-way Passive L-band Splitter/Combiner



COM03L1P-2555 is a 3-way passive L-band splitter/combiner with DC pass on ports 2 and 3, and DC block on port 1

This component is available with the following RF connector options: 50 Ω SMA, N-type, BNC and 75 Ω BNC or F-type.

Summary table for RF performance over L-band operation, 850 MHz to 2150 MHz

Model Numbers	RF Ports	Insertion Loss* (dB)		Isolation Typical (dB)	Return Loss (dB)		Phase & Amplitude Misalignment	
		Typ.	Max		Typ.	Min	Φ	Amp(dB)
COM03L1P-2555-S5S5	50 Ω SMA	0.6	1.0	23	18	14	2°	0.2
COM03L1P-2555-N5N5	50 Ω N-type	0.7	1.1	23	18	14	2°	0.2
COM03L1P-2555-B5B5	50 Ω BNC	0.8	1.2	20	15	12	3°	0.4
COM03L1P-2555-B7B7	75 Ω BNC	1.0	1.4	20	14	10	5°	0.6
COM03L1P-2555-F7F7	75 Ω F-type	1.5	2.3	18	10	6	5°	0.8

* The quoted insertion loss is loss above theoretical due to power split. For 3-way splitters theoretical value is 4.7dB. 10 MHz insertion loss is 3dB max above the theoretical. Typical values may vary between different production batches.

Maximum acceptable operating parameters for reliable and safe operation

Parameter	Value	Comment
Input RF power	+37 dBm (5W)	Max total RF power
DC Voltage	24V / 5A	Any RF port : 3A Max if SMA or F type connector
Operating temperature	0 to 45 C	Indoor use only
Storage Temperature	-20 C to +75 C	
Humidity	85%	Non-condensing

! Operation beyond these limits may cause instantaneous and permanent damage.



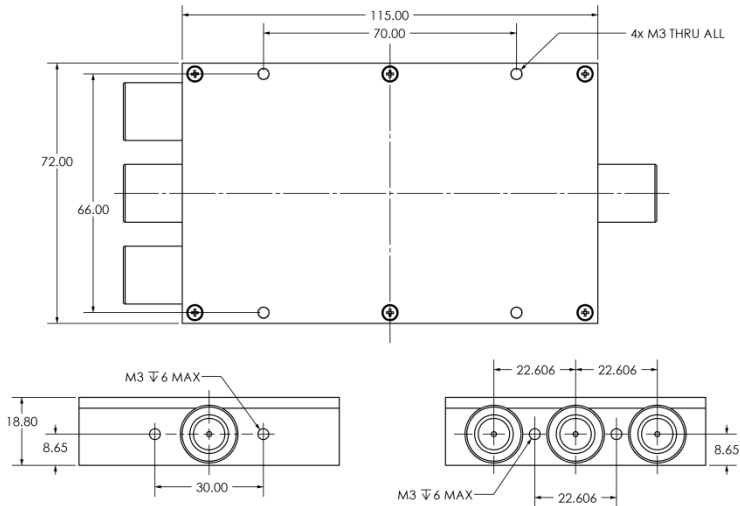
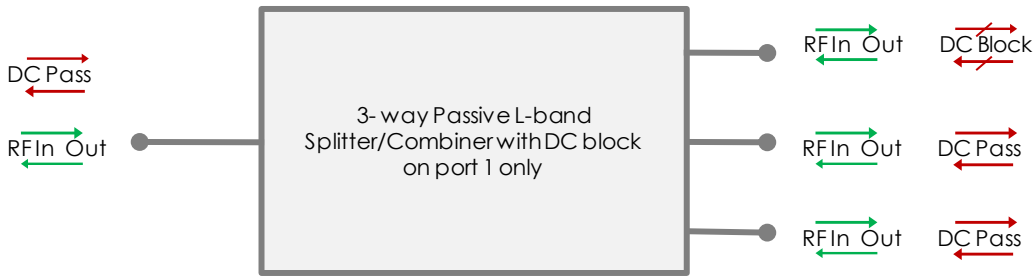
RESILIENCE

RELIABILITY

RF PERFORMANCE

CUSTOM BUILD

Vector diagram & physical dimensions



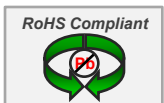
Feature set for alternative 3-way Passive L-band splitters/combiners

Model Number	DC Pass/Block	10 MHz Pass/Block	Other features
COM03L1P-2528	DC pass on ALL ports	10MHz pass on ALL ports	Customised options available
COM03L1P-2573	DC pass on TWO ports, DC block on one port	10MHz pass on ONE port (DC blocked port)	Customised options available



ETL Systems Ltd, Coldwell Radio Station, Madley, Hereford, HR2 9NE, England

ETL Systems design, develop and manufacture specialist equipment for satellite ground stations. For a full description of the ETL product range, please see our website at www.etlsystems.com. This product range provides the basis for meeting your specific demands.



Tel +44 (0)1981 259020
 Fax +44 (0)1981 259021
info@etlsystems.com